

Sherpur Polytechnic Institute

Bhatshala, sherpur

Electronics Technology

Subject Name : Biomedical Instruments

SUBJECT CODE: 28654

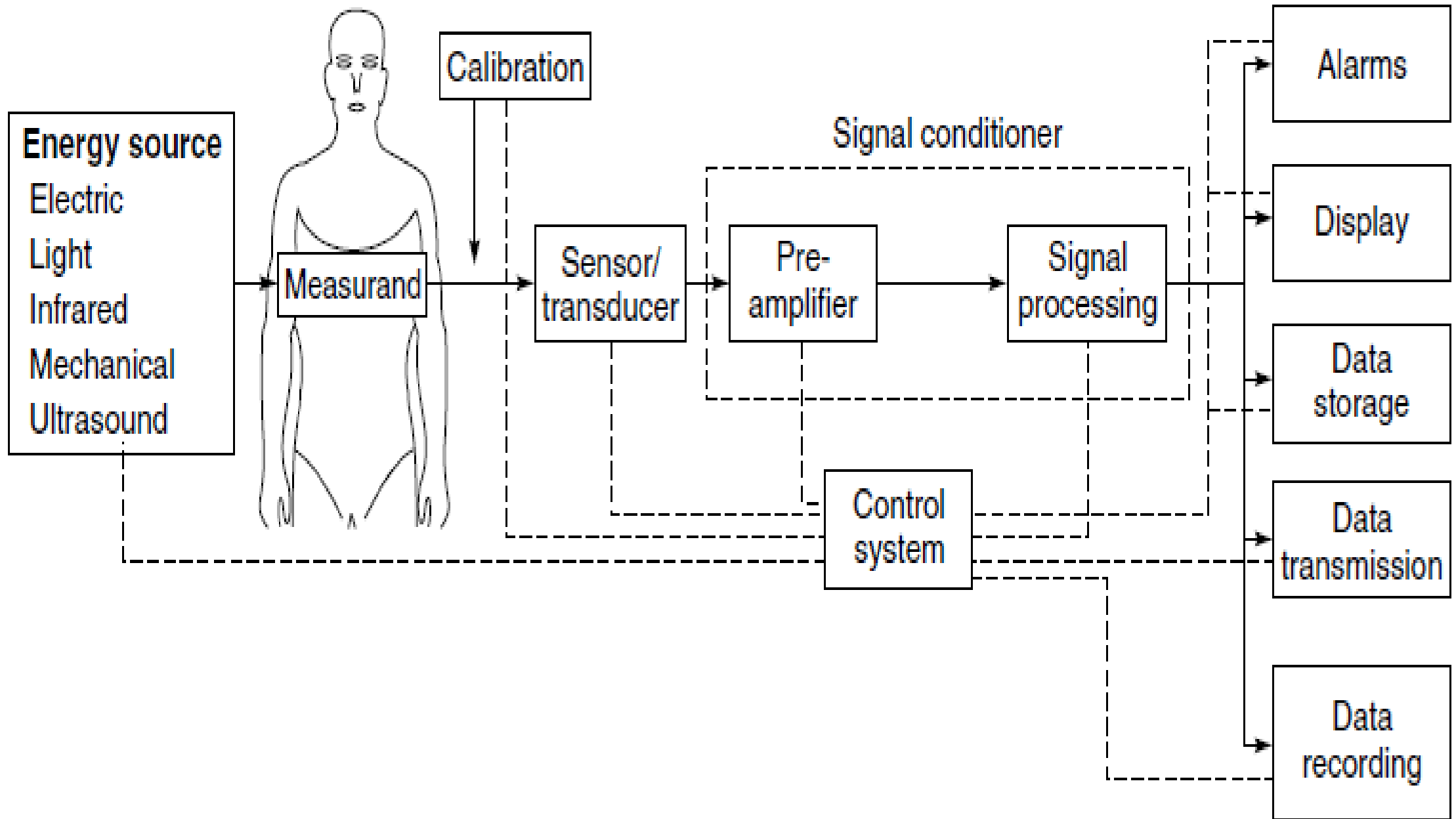
Prepared by:

MD. NUR ALAM

Junior Instructor (Tech/ Electronics)

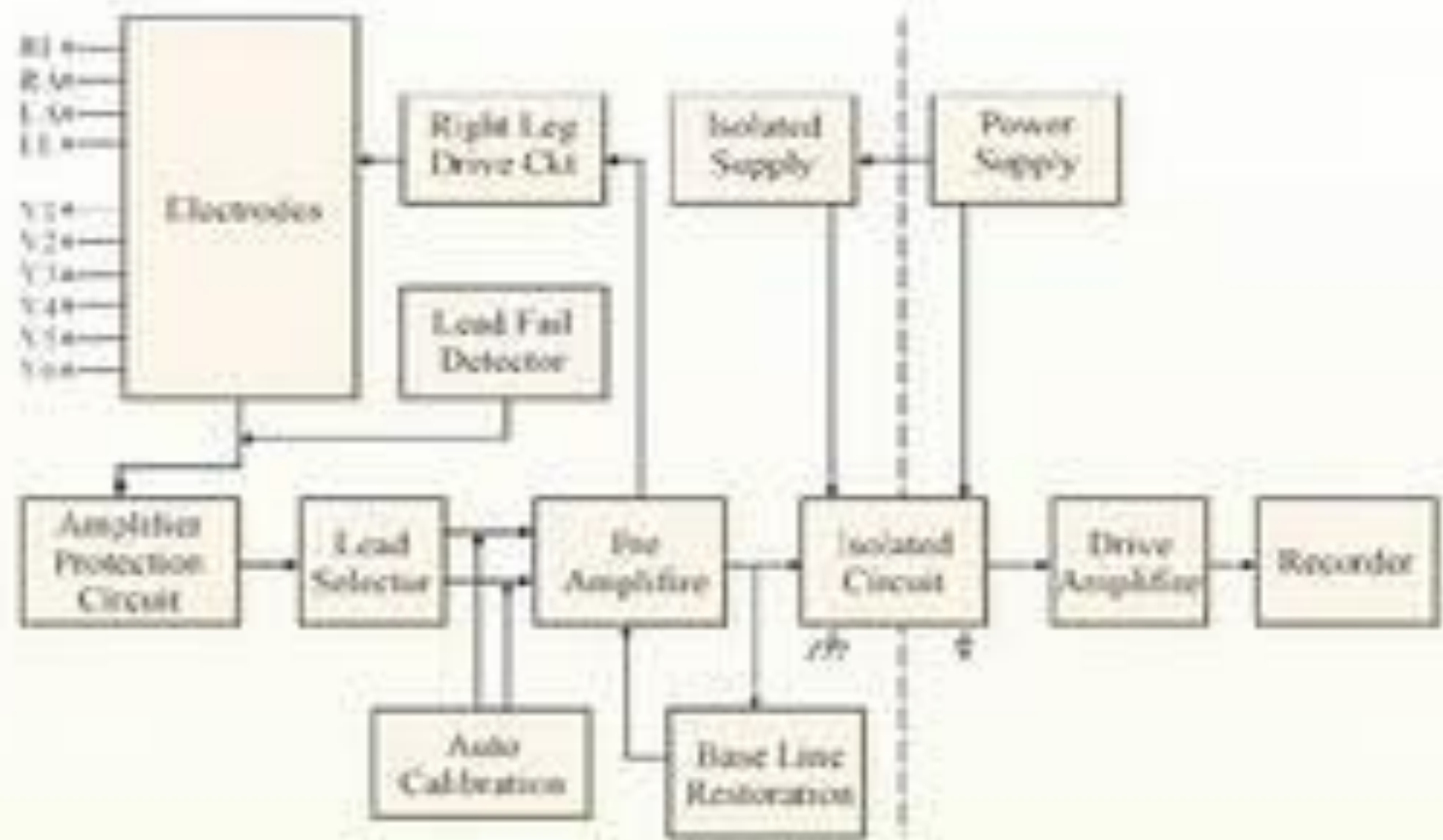
Chapter-01

Biomedical Instrumentation System



Chapter-02

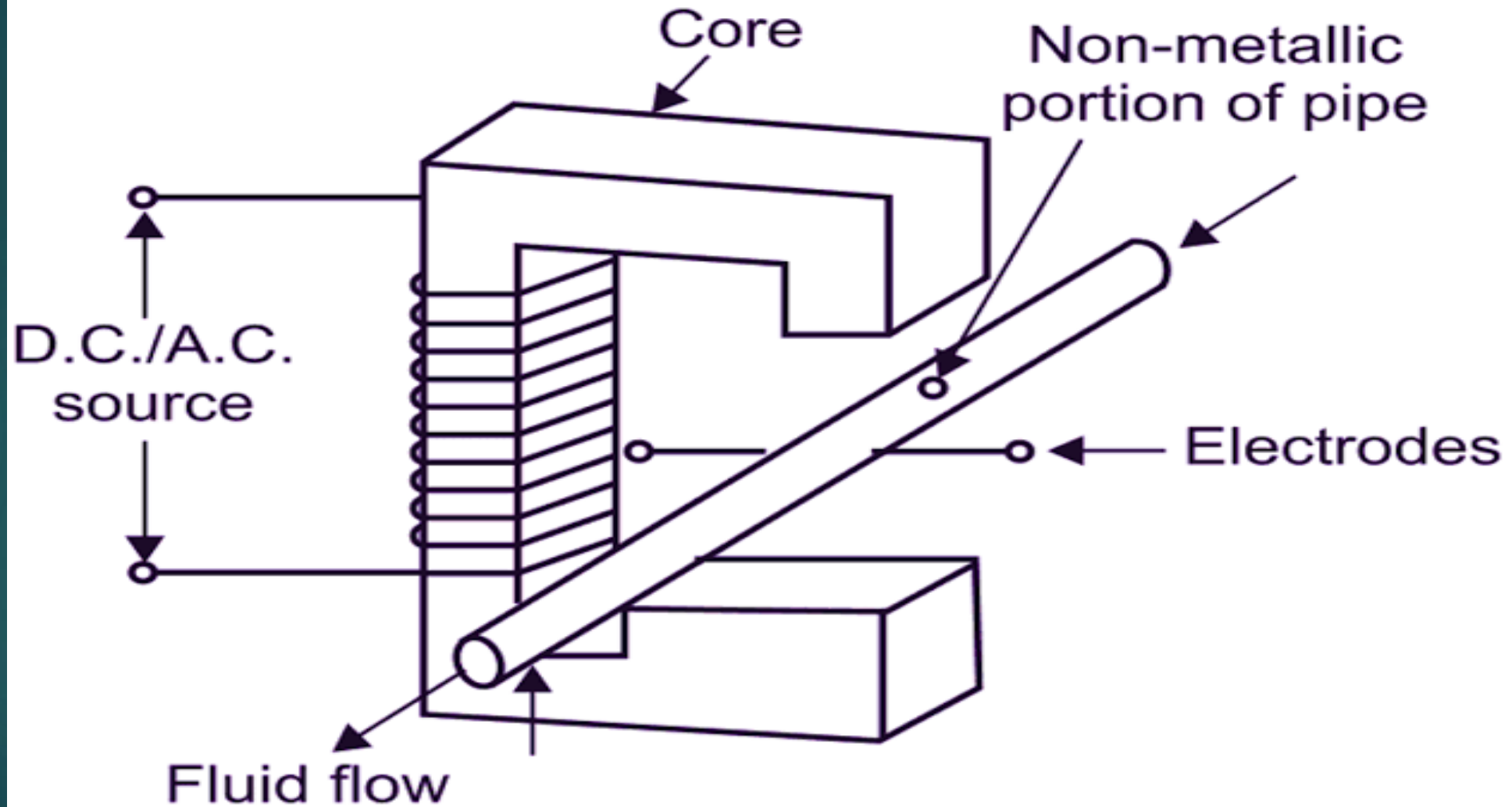
Biomedical signal



Chapter-03

Blood Pressure And Blood Flow Meter

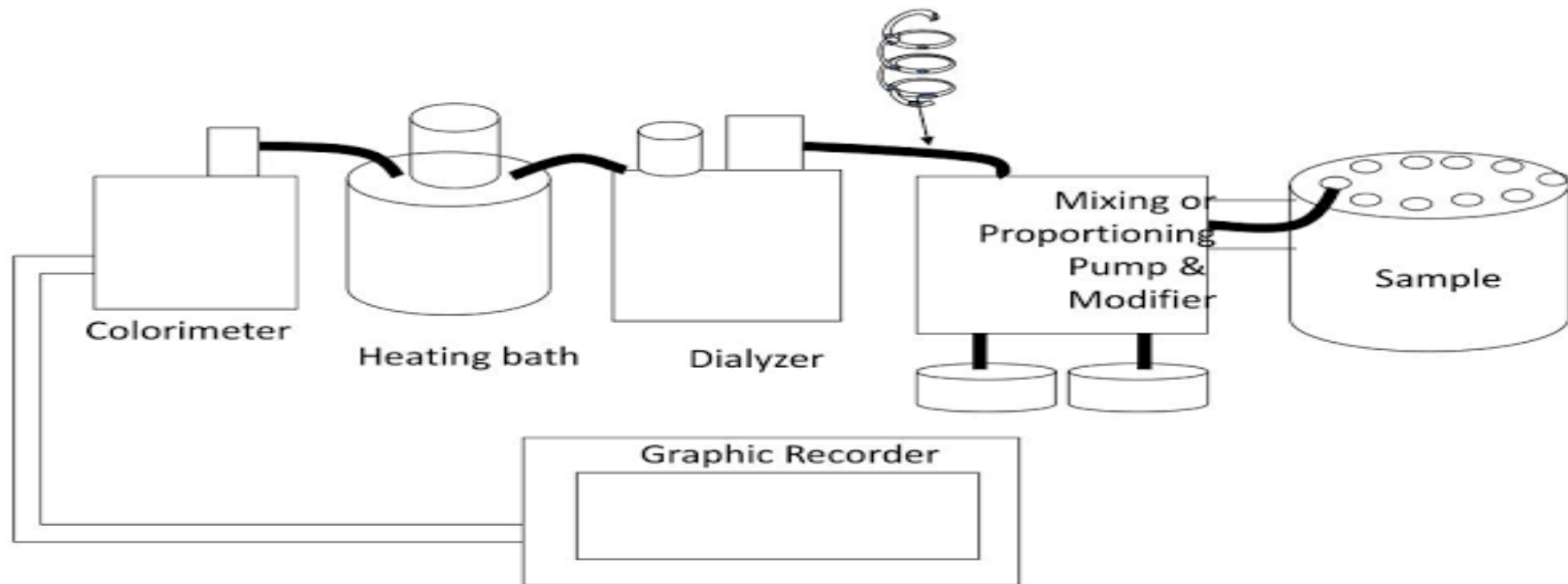
Magnetic blood flow meter



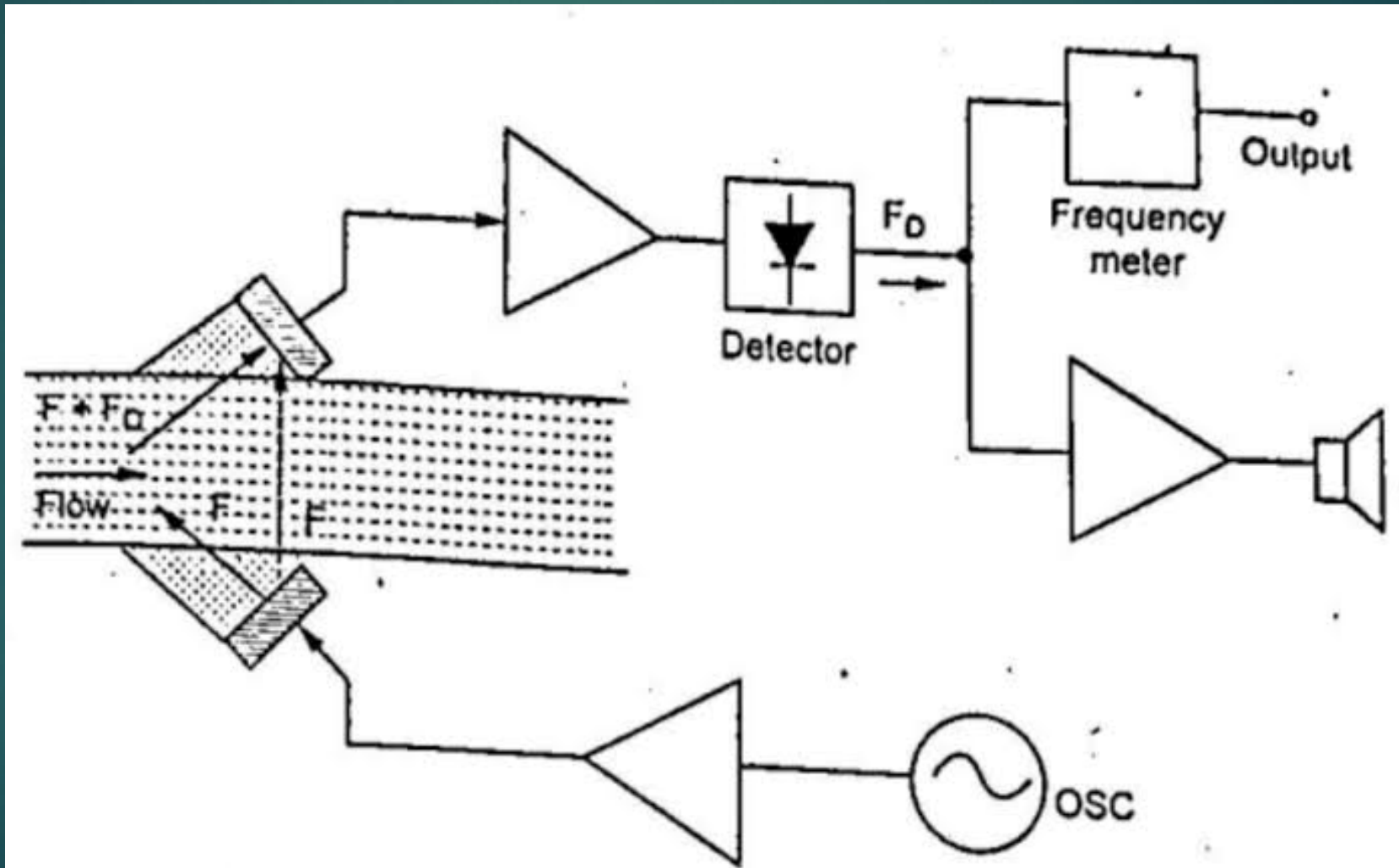
Chapter-03

Blood Pressure And Blood Flow Meter

Auto Analyzer



Ultrasonic Blood Flow Meter





THANK YOU!