

Engineering Blueprints: Fast-Moving Spare Parts of Combine Harvester



AKM Saiful Islam

Engineering Blueprints: Fast-Moving Spare Parts of Combine Harvester



AKM Saiful Islam

First published : January 2025

Publication no. : 427

Number of copies : 300

Copyright : Bangladesh Rice Research Institute

Cover page design : Dr. AKM Saiful Islam

Communication : Publication and Public Relation Division
Bangladesh Rice Research Institute, Gazipur
Bangladesh

Printed by : SM Printers

Engineering drawing

Drawn by : Shafier Jahan Khan
Mechanical Engineer, B.Sc. (Hons.)
Research Assistant, SFMRA project
Bangladesh Rice Research Institute (BRR)

Checked by : Professor Dr. Md. Mosharraf Hossain
Department of Farm Power and Machinery
Bangladesh Agricultural University

Approved by : Dr. AKM Saiful Islam
Chief Scientific Officer
Farm Machinery and Postharvest Technology Division
Bangladesh Rice Research Institute

Citation

Islam, AKM Saiful 2025: Engineering Blueprints: Fast-moving Spare Parts of Combine Harvester, Publication no. 427, Bangladesh Rice Research Institute, Gazipur, Bangladesh

Acknowledgment:

Special thanks to all those who directly and indirectly helped in the preparation of this book.

Preface

The role of combine harvesters is pivotal in ensuring timely and efficient crop harvesting. However, frequent breakdowns and the need for replacement of fast-moving parts can become a significant challenge, especially in regions where these parts are not locally available or expensive. The reliance on imported spare parts not only increases costs but also hampers the productivity of farmers due to delays in repairs. This book is an effort to address these challenges by providing detailed engineering drawings of critical fast-moving spare parts for whole feed and head feed combine harvesters. The objective is to enable local manufacturers to produce these parts at a lower cost while adhering to international quality standards. By doing so, we aim to make farming more sustainable and affordable for the agricultural community. Through this initiative, I believe we can create a more self-sufficient supply chain within the agricultural sector, significantly reducing dependence on foreign imports while ensuring that farmers have timely access to high-quality spare parts. I hope that this book will serve as a valuable resource for manufacturers, engineers, and agricultural machinery suppliers in Bangladesh and beyond.



Director General
Bangladesh Rice Research Institute

Foreword

The agricultural machinery sector, particularly in developing countries, faces the critical challenge of balancing cost-efficiency with quality. One of the key issues in this sector is the availability of affordable, high-quality spare parts, particularly for fast-moving components of combine harvesters. The rapid wear and tear of these parts often cause significant downtime, affecting the livelihoods of farmers and the overall efficiency of agricultural operations. This book, compiled by Dr. AKM Saiful Islam, provides a detailed engineering blueprint for manufacturing essential spare parts for combine harvesters, tailored to meet both local production capabilities and global quality standards. By localizing the production of these parts, manufacturers can reduce costs and expedite the supply chain, making it easier and faster for farmers to access the parts they need. I believe this book will assist local industries in meeting the challenge of producing high-quality spare parts at affordable prices. It represents a critical step forward in building self-reliance in agricultural machinery manufacturing, which will undoubtedly benefit both the farmers and the industrial sector in Bangladesh. I congratulate Dr. AKM Saiful Islam on this important contribution and hope that it will serve as a foundation for future developments in localized manufacturing of agricultural machinery components.

A handwritten signature in black ink, appearing to read 'M. Khalequzzaman'.

(Dr. Mohammad Khalequzzaman)



Chief Scientific Officer
Farm Machinery and Postharvest Technology Division
BRRRI, Gazipur

About Project Director

Dr. AKM Saiful Islam graduated from the Department of Farm Power and Machinery at Bangladesh Agricultural University, Mymensingh, where he obtained the Chancellor's Award for securing the first class first position. He went on to obtain his MS degree from the same university in 1996. In 1997, Dr. Islam completed a postgraduate diploma course from Silsoe College, UK. In 2012, he earned his PhD in Agricultural Engineering from the Department of Farm Power and Machinery at Bangladesh Agricultural University. Dr. Islam began his career in 1998 as a Scientific Officer in the Farm Machinery and Postharvest Technology Division of the Bangladesh Rice Research Institute (BRRRI). Over the years, he has played a pivotal role in developing various farm machinery and training manuals, including those for seedling raising techniques, the introduction of machine tools, and the operation, repair, and maintenance of power tillers, diesel engines, rice transplanters, combine harvesters, compact rice mills, BRRRI weeder, rice-wheat reaper, BRRRI open drum thresher, and BRRRI rice-wheat thresher. He also played a key role in inventing and developing mechanized seedling raising techniques and various equipment such as the BRRRI seed sower, BRRRI auto seed sower, BRRRI rice transplanter, BRRRI semi-automatic rice transplanter, BRRRI solar light trap, BRRRI urea super granular fertilizer, BRRRI power weeder, BRRRI rice-wheat reaper, BRRRI panicle thresher, BRRRI whole feed combine harvester, BRRRI head feed combine harvester, BRRRI straw rope maker, BRRRI air blow rice mill, BRRRI compact rice mill and BRRRI mini rice huller. Currently, Dr. Islam serves as the Chief Scientific Officer and Project Director for the "Strengthening Farm Machinery Research Activity for Mechanized Rice Cultivation (SFMRA)" project at BRRRI.

About project

The project "Strengthening Farm Machinery Research Activity for Mechanized Rice Cultivation" was approved for implementation from July 2019 to June 2025 at an estimated cost of Tk 4400 Lakhs. The project is being implemented by the Farm Machinery and Postharvest Technology Division of Bangladesh Rice Research Institute under the Ministry of Agriculture in 12 upazilas of 12 districts of seven divisions of the country.

One of the main objectives of the project is to strengthen farm machinery research activities for sustainable rice cultivation. The specific objectives of the project are (a) Developing nine agricultural machinery and technologies suitable to the socio-economic condition of the farmers: i.e. rice transplanter, mini combine harvester, power weeder, reaper binder, compact rice mills, rice transplanter-cum-fertilizer, straw rope maker, seed sower machines, post-harvest management and renewable energy (solar and briquette machines); (b) Further development of the machinery by collecting feedback from the stakeholder through 324 adaptive trials; (c) Providing hands-on training to 6480 machine operators, farmers, mechanics and service providers and 200 local agricultural machinery manufacturers and extension officers/workers to increase their skills on modern agricultural machinery; (d) Capacity building of 20 scientists and 20 workshop workers for the research on modern agricultural machinery through higher education and training; and (e) Modernization of existing farm machinery research lab-cum-workshop.

The project activities are a) Developing nine agricultural machinery and post-harvest technologies suitable for sustainable rice production i.e. rice transplanter, combine harvester, power weeder, reaper binder, compact rice mill, rice transplanter-cum-fertilizer, straw rope maker, seed sower machine, post-harvest management and renewable energy (solar and briquette machines); b) To procure prototypes from abroad and preparing indigenously adapted machines through reverse engineering and applied research; c) To develop machine according to the feedback obtained through practical field tests; d) To conduct 324 two-day residential hands-on training on seedling raising techniques, operation, repair and maintenance of rice transplanters for mechanized rice transplanting; e) To sensitize 6480 farmers, machine operators, mechanics, farmer groups/farmers associations, service providers about utility of agricultural machinery, operating techniques, repair and maintenance through 324 practical field tests of BRRI developed modern machinery; f) To publish the training schedule and names of the trainees in the form of a database on the BRRI web site to maintain transparency and accountability in the training program and to avoid duplicity in the selection of trainees; g) Developing 10 skilled scientific manpower through three months of overseas training; h) To organize short term (7-10 days) training of 10 scientists in agricultural machinery manufacturing countries; j) Conducting 10 trainings of three days duration on transfer of machinery technology to the farm machinery manufacturers/extension officers/workers; j) To enhance quality research skills by establishing machine testing lab (375 square meters) with modern equipment for machinery quality control; k) Develop a commercial approach to agriculture through limited long-term use of farm machinery and rental machinery service providers in the project area; l) Building co-operation between researchers, extension workers, manufacturers and farmers; d) Development of 2,500 cubic meter research field/plot for head office research; d) Vertical extension (450 square meters) of farm machinery lab cum office building at head office; n) Construction of machinery display cum ware house (150 sq m to 750 sq m in 5 Regional stations) for display room at BRRI Regional stations; (v) Skilling of 20 workshop workers through training in machine prototyping, repair and maintenance; d) To provide necessary technical assistance to the entrepreneurs and machinery manufacturing institutions/factories serving through the Department of Agriculture Extension for ensuring the use of sustainable agricultural machinery at the field level. Recruiting 11 persons (one office assistant cum computer programmer, two bench mechanics, two lathe-operators, two tin smiths, two hammer men and two drivers) through outsourcing to support the project director in project execution. Scientists of FMPHT division, research assistants, Accountant of Accounts division and staff of Planning and Evaluation Division are working on the project as additional responsibilities.

Fast-moving spare parts of combine harvester

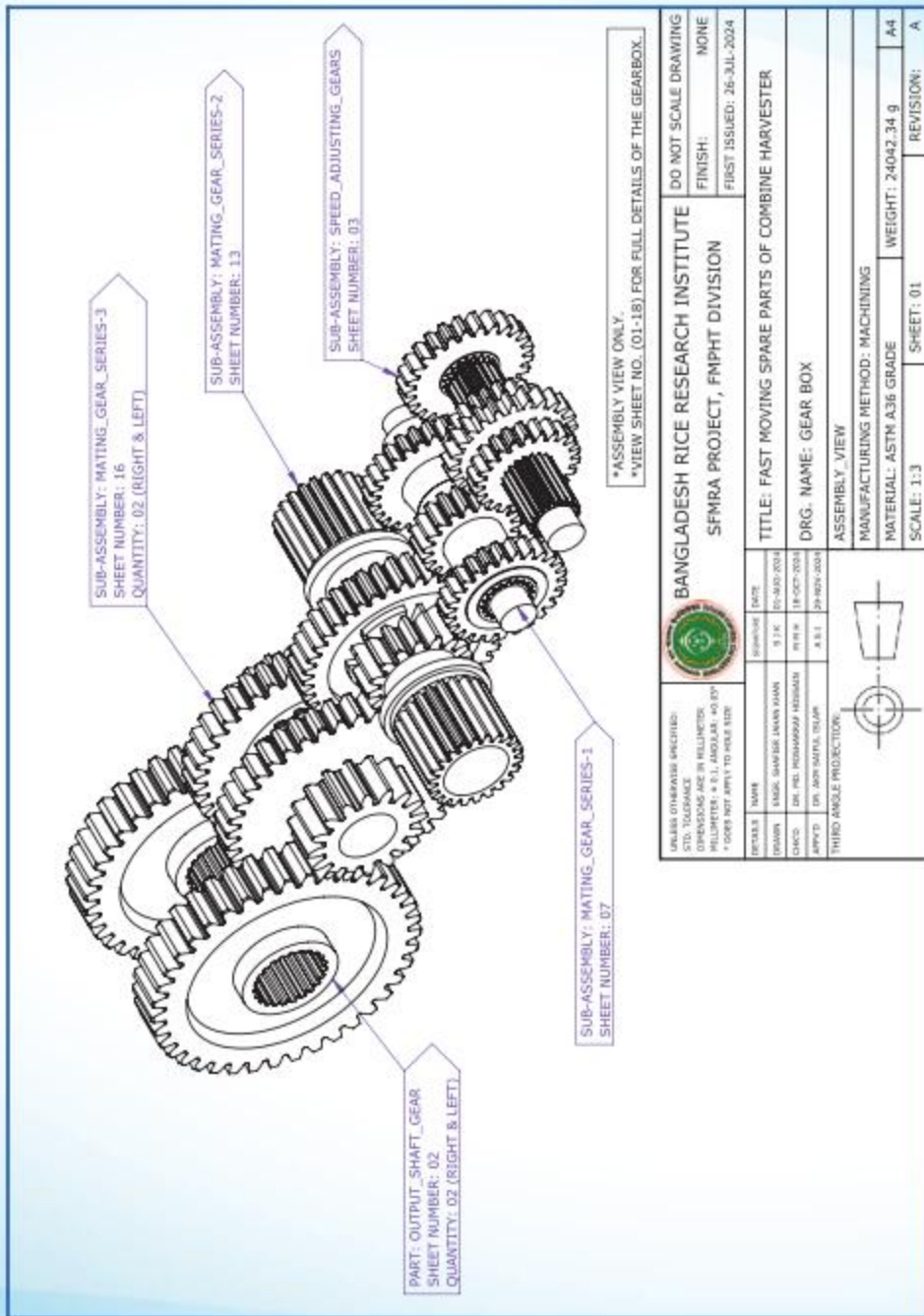
Purpose

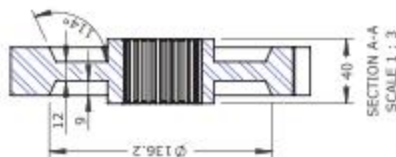
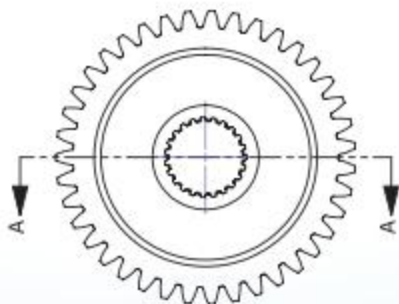
The purpose of preparing drawings of fast-moving spare parts of a combine harvester includes:

1. **Facilitate local manufacturing:** Detailed drawings provide precise specifications, allowing local manufacturers to produce high-quality spare parts that meet the required standards, reducing dependency on imports.
2. **Ensure accuracy in production:** Engineering drawings offer accurate measurements, material requirements, and design details, ensuring that the parts are made to fit and function properly within the combine harvester.
3. **Maintain consistency and quality:** Standardized drawings ensure that all produced parts meet uniform quality and design standards, contributing to the machine's overall reliability and performance.
4. **Support cost-effective production:** By having clear technical drawings, manufacturers can optimize production processes, reduce material waste, and keep costs low, making the parts more affordable for end users.

TABLE OF CONTENT

Chapter	Content	Page
1	Gear Box	01-18
2	Cutter Bar Set	19
3	Blade Guide	20-21
4	Reel Pulley	22
5	Support Rod Pulley	23-27
6	Cutting Augar Dram Pulley & Chain Sprocket	28-31
7	Swing Rod	32-33
8	Reel Pipe Holder	34
9	Side Holder	35
10	Support Bar	36
11	Blower Pulley	37
12	Balance Block	38-40
13	Eccentric Wheel	41-43
14	Left Shaft	44
15	Middle Axle Gear Box Pulley	45
16	Tension Pulley	46
17	Horizontal Augar Screw	47
18	Driving Sprocket	48
19	Vertical Conveying Screw	49
20	Tooth Holder	50
21	Bevel Gear Pinion & Shaft	51-52
22	End Cover	53-54
23	Output Driving Pulley	55-57
24	Power Pulley	58
25	Cutting Driving Shaft Power Pulley	59
26	Conveying Pulley	60
27	Support Rod Pulley	61
28	Reel Tooth	62
29	Thrust Wheel Shaft	63
30	Double Guard	64-66
31	Power Transmission Pulley	67
32	HST Gearbox Pulley	68
33	Fly Wheel Driving Pulley	69
34	Threshing Roller Tooth	70
35	Thread Shaft and Nut	71-72
36	Crank Pin	73
37	Washers	74-75
38	Roller Shaft	76
39	Thrust Wheel Axle	77
40	Driving Chain Sprocket	78
41	Wheel Chain Sprocket with 22 Teeth's and sprocket with 15 Teeth's	79-80
42	Carrier Roller	81
43	Bleed Reping Crank	82
44	Mendel	83
45	Fan Belt Pulley	84
46	Reel Belt Pulley	85
47	Joint Shaft	86
48	Upper Jocky Pulley	87
49	Carrier Roller Shaft	88
50	Thrust Wheel Shaft and Wheel	89-90
51	Double Row Sprocket	91





N.B: ALL GEAR TEETH CHAMFERS SIZE 1.0x45°.

SPUR GEAR INFORMATION'S	DETAILS (1)	DETAILS (2)
MODULE	4.5	2.25
NUMBER OF TEETH	39	23
PITCH CIRCLE DIAMETER	175.5mm	51.75mm
CLEARANCE	1.125mm	0.5625mm
ADDENDUM CIRCLE DIAMETER	183mm	56.25mm
DEDDENDUM CIRCLE DIAMETER	164.25mm	46.125mm
PRESSURE ANGLE	20°	
BASE CIRCLE DIAMETER	164.916mm	46.6291mm
BACKLASH	0.135mm	0.0675mm
WHOLE DEPTH	10.125mm	5.0625mm
FACE WIDTH	30mm	40mm
HUB DIAMETER	65mm	-



BANGLADESH RICE RESEARCH INSTITUTE
 SFMRA PROJECT, FMPHT DIVISION

DO NOT SCALE DRAWING
 FINISH: NONE
 FIRST ISSUED: 26-JUL-2024

DETAILS	NAME	DATE
DESIGN	ENGR. SHAFIQUL KARIM KHAN	25/07/2024
CHECK	DR. FARUQUE HOSSAIN	18/08/2024
APPROV	DR. SHAFIQUL KARIM	24/09/2024

TITLE: FAST MOVING SPARE PARTS OF COMBINE HARVESTER
 DRG. NAME: OUTPUT_SHAFT_GEAR

DWG NO: 01

MANUFACTURING METHOD: MACHINING

MATERIAL: ASTM A36 STEEL

WEIGHT: 3700.42 g

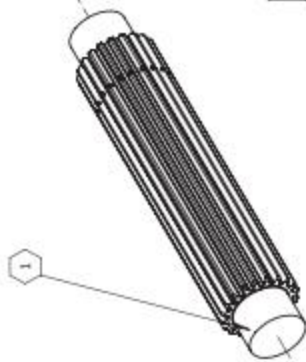
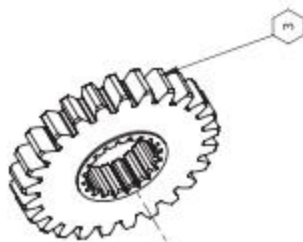
A4

SCALE: 1:3

SHEET: 02

REVISION: A





ITEM NO.	Description	PartNo	QTY.
1	ADJUSTING_GEAR_SHAFT	04	1
2	ADJUSTING_GEAR	02	1
3	MATE_GEAR_1	03	1

UNLESS OTHERWISE SPECIFIED:
 STD. TOLERANCE
 DIMENSIONS ARE IN MILLIMETERS
 MILLIMETERS = 0.1 ANGULAR = 0.5°
 * DOES NOT APPLY TO HOLE SIZE



BANGLADESH RICE RESEARCH INSTITUTE
 SFMRA PROJECT, FNPIPT DIVISION

DO NOT SCALE DRAWING
 FINISH: NONE
 FIRST ISSUED: 26-JUL-2024

DESIGNER	DATE
NAME: SHAMSUR RAHMAN KHAN	01-MAR-2024
DRWEN	9:36
CHKD: DR. HEL. ROSHANARAF HESBANI	18-OCT-2024
APPVD: DR. SHAMSUR RAHMAN	27-NOV-2024

TITLE: FAST MOVING SPARE PARTS OF COMBINE HARVESTER

DRG. NAME: SPEED_ADJUSTING_GEAR

ASSEMBLY_VIEW

MANUFACTURING METHOD: MACHINING

MATERIAL: ASTM A36 GRADE

WEIGHT: 2582.57 g

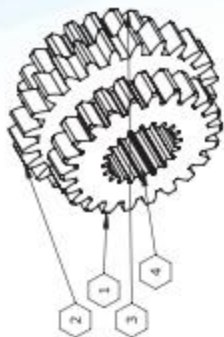
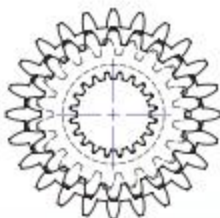
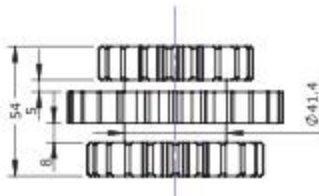
A4

SCALE: 1:2

SHEET: 03

REVISION: A





SPUR GEAR INFORMATION'S	DETAILS (1)	DETAILS (2)	DETAILS (3)	DETAILS (4)
MODULE	3	3.25	3	1.7
NUMBER OF TEETH	22	24	19	20
ADDENDUM CIRCLE DIAMETER	72mm	88.4mm	63mm	35.4mm
PRESSURE ANGLE	6.75mm	7.65mm	20°	
WHOLE DEPTH	0.75mm	0.85mm	6.75mm	2.825mm
CLEARANCE	0.09mm	0.102mm	0.09mm	0.425mm
BACKLASH	14mm	13mm	14mm	0.051mm
FACE WIDTH				54mm

UNLESS OTHERWISE SPECIFIED:
 STD. TOLERANCE
 DIMENSIONS ARE IN MILLIMETERS.
 HELLUMETER: + 0.1, ANGULAR: +0.5°
 * DOES NOT APPLY TO HOLE SIZE

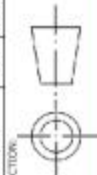


BANGLADESH RICE RESEARCH INSTITUTE
 SFMRA PROJECT, FNPIPT DIVISION

DO NOT SCALE DRAWING
 FINISH: NONE
 FIRST ISSUED: 26-JUL-2024

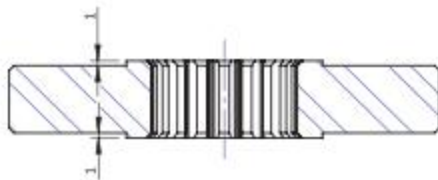
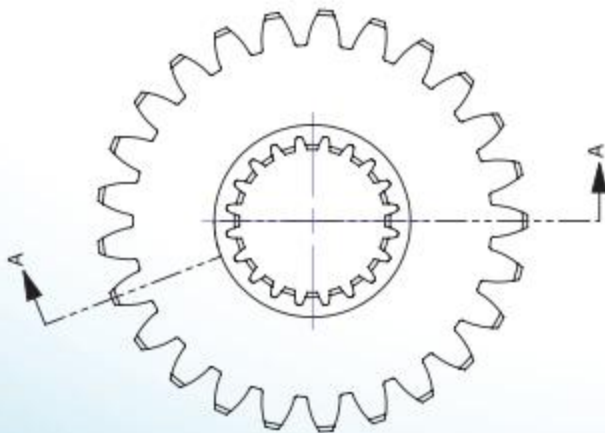
DETAILS	NAME	DATE
DESIGN	MD. SHAMSIUZZAMAN KHAN	01-MAR-2024
CHECK	DR. HEL. ROSHMANIYAH HESMAN	18-OCT-2024
APPROV	DR. JAWHARUL ISLAM	20-NOV-2024

TITLE: FAST MOVING SPARE PARTS OF COMBINE HARVESTER
 DRG. NAME: ADJUSTING_GEAR



DWG NO: 02
 MANUFACTURING METHOD: MACHINING
 MATERIAL: ASTM A36 STEEL
 SCALE: 1:2

WEIGHT: 944.08 g
 SHEET: 04
 REVISION: A



[N.B: (1.0mmx45°) CHAMFER FOR EACH GEAR TEETH.]

SPUR GEAR INFORMATIONS	DETAILS (1)	DETAILS (2)
MODULE	3.25	1.7
NUMBER OF TEETH	25	20
ADDENDUM CIRCLE DIAMETER	87.75mm	35.4mm
PRESSURE ANGLE		20°
WHOLE DEPTH	7.312mm	2.825mm
CLEARANCE	0.813mm	0.425mm
BACKLASH	0.09mm	0.051mm
FACE WIDTH	14mm	16mm
HUB DIAMETER	40mm	-

UNLESS OTHERWISE SPECIFIED:
DIMENSIONS ARE IN MILLIMETERS
HOLE DIMS: H 8 / f 7, ANGULAR: 40/90°
* DOES NOT APPLY TO HOLE SIZE



DETAILS	NAME	DESIGNATOR	DATE
DRAWN	EMIG. GANTER, IMRAN KHAN	R 1/R	05-NOV-2024
CHECKED	DR. MD. ROHASSAF ROSSAN	R 1/R	18-NOV-2024
APPROVED	DR. AHMADUZZAMAN	A 5/1	25-NOV-2024

THIRD ANGLE PROJECTION:



BANGLADESH RICE RESEARCH INSTITUTE
SFMRA PROJECT, FMPHT DIVISION

TITLE: FAST MOVING SPARE PARTS OF COMBINE HARVESTER

DRG. NAME: MATE_GEAR_1

DWG NO: 03

MANUFACTURING METHOD: MACHINING

MATERIAL: ASTM A36 STEEL

WEIGHT: 485.44 g

A4

DO NOT SCALE DRAWING

FINISH: MORE

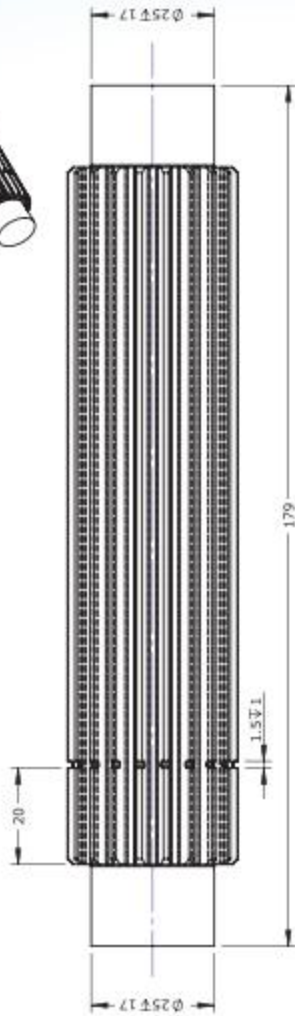
FIRST ISSUED: 26-JUL-2024

SCALE: 1:1

SHEET: 05

REVISION:

A



[N.B: (1.0mmx45°) CHAMFER FOR EACH GEAR TEETH]

SPUR GEAR INFORMATION'S	DETAILS
MODULE	1.7
NUMBER OF TEETH	20
ADDENDUM CIRCLE DIAMETER	34.9mm
PRESSURE ANGLE	20°
WHOLE DEPTH	3mm
CLEARANCE	0.425mm
BACKLASH	0.051mm
FACE WIDTH	14.5mm

UNLESS OTHERWISE SPECIFIED:
 STD. TOLERANCE
 DIMENSIONS ARE IN MILLIMETERS.
 HELLIPHERICAL ANGLES: ± 0.1°
 * DOES NOT APPLY TO HOLE SIZE



DESIGNER	NAME	SIGNATURE	DATE
DESIGN	MUSLIM, SHAMSHUL IMAN KHAN	[Signature]	20-MAR-2024
CHECK	DR. HEL. ROSHANARAF KAZEMAN	[Signature]	18-OCT-2024
APPROV	DR. SHAMSHUL IMAN KHAN	[Signature]	20-MAR-2024

THIRD ANGLE PROJECTION



DO NOT SCALE DRAWING
 FINISH: NONE
 FIRST ISSUED: 26-JUL-2024

BANGLADESH RICE RESEARCH INSTITUTE
 SFMRA PROJECT, FNPHD DIVISION

TITLE: FAST MOVING SPARE PARTS OF COMBINE HARVESTER

DRG. NAME: ADJUSTING_GEAR_SHAFT

DWG NO: 04

MANUFACTURING METHOD: MACHINING

MATERIAL: ASTM A36 STEEL

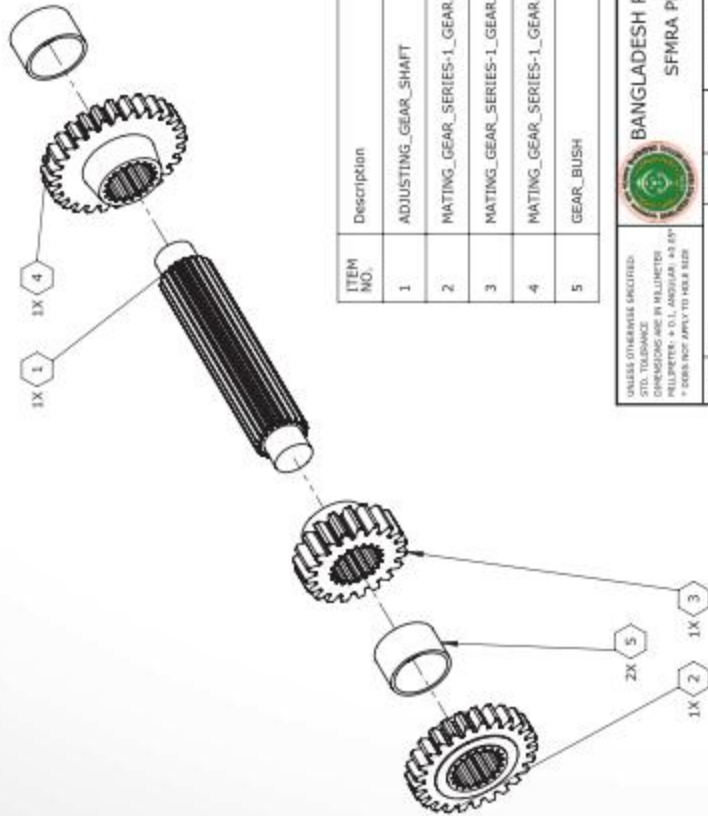
WEIGHT: 1016.03 g

A4

SCALE: 1:1

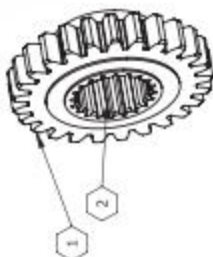
SHEET: 06

REVISION: A

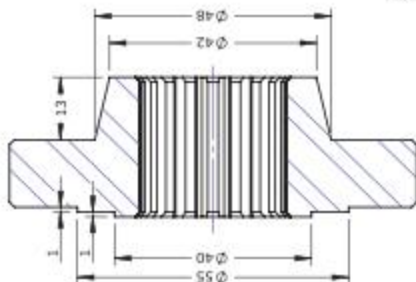


ITEM NO.	Description	PartNo	QTY.
1	ADJUSTING_GEAR_SHAFT	09	1
2	MATING_GEAR_SERIES-1_GEAR.1	05	1
3	MATING_GEAR_SERIES-1_GEAR.2	07	1
4	MATING_GEAR_SERIES-1_GEAR.3	08	1
5	GEAR_BUSH	06	2

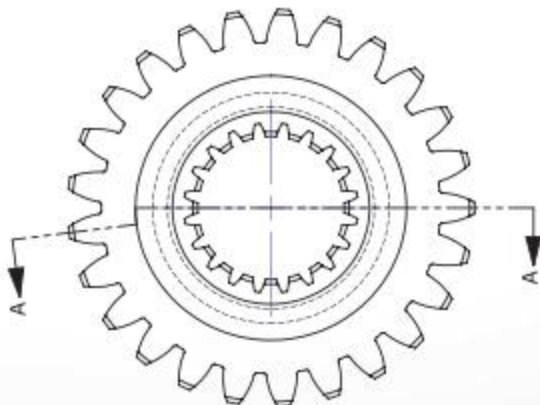
UNLESS OTHERWISE SPECIFIED: STD. TOLERANCE DIMENSIONS ARE IN MILLIMETERS HOLE PATTERN - H & D, ANGULAR - AS SHOWN * DIMS NOT APPLY TO HOLE SIZE		 BANGLADESH RICE RESEARCH INSTITUTE SFMRA PROJECT, FMPMT DIVISION		DO NOT SCALE DRAWING
DATE	DESIGNED BY	CHECKED BY	APPROVED BY	FINISH: NONE
01-08-2024	R. J.K	M.M.H	A.S.I.	FIRST ISSUED: 26-JUL-2024
TITLE: FAST MOVING SPARE PARTS OF COMBINE HARVESTER				
DRG. NAME: MATING_GEAR_SERIES-1				
ASSEMBLY VIEW				
MANUFACTURING METHOD: MACHINING				
MATERIAL: ASTM A36 GRADE			WEIGHT: 2719.12 g	
SCALE: 1:3			SHEET: 07	
			REVISION: A	



[N.B: (1.0mmx45°) CHAMFER FOR EACH GEAR TEETH.]



SECTION A-A



SPUR GEAR INFORMATION S	DETAILS (1)	DETAILS (2)
MODULE	3	1.7
NUMBER OF TEETH	25	20
ADDENDUM CIRCLE DIAMETER	82.62mm	35.4mm
DEDENDUM CIRCLE DIAMETER	68.85mm	29.75mm
PRESSURE ANGLE	20°	
WHOLE DEPTH	6.885mm	2.825mm
CLEARANCE	0.785mm	0.425mm
BACKLASH	0.092mm	0.051mm
FACE WIDTH	14mm	29mm



BANGLADESH RICE RESEARCH INSTITUTE
SFMRA PROJECT, FMPPT DIVISION

DO NOT SCALE DRAWING
FINISH: NONE
FIRST ISSUED: 26-JUL-2024

UNLESS OTHERWISE SPECIFIED:
STD. TOLERANCE
DIMENSIONS ARE IN MILLIMETERS
HOLLOW PIPES - A D.L. ANGULAR - AS AP
* DIMENSIONS APPLY TO HALF SIZE

DETAILS	NAME	DESIGN NO.	DATE
DRAWN	ENGR. SAHARUJAMAN KHAN	B JK	04-AUG-2024
CHECK	DR. HEL PROHARSAWATI HASANAH	M M H	19-OCT-2024
APPROV	DR. SAKIB MURTEZA RAHMAN	A S I	24-NOV-2024

TITLE: FAST MOVING SPARE PARTS OF COMBINE HARVESTER

DRG. NAME: MATING_GEAR_SERIES-1_GEAR.1

DWG NO: 05

MANUFACTURING METHOD: MACHINING

MATERIAL: ASTM A36 STEEL

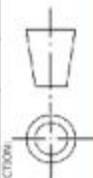
WEIGHT: 510.04 g

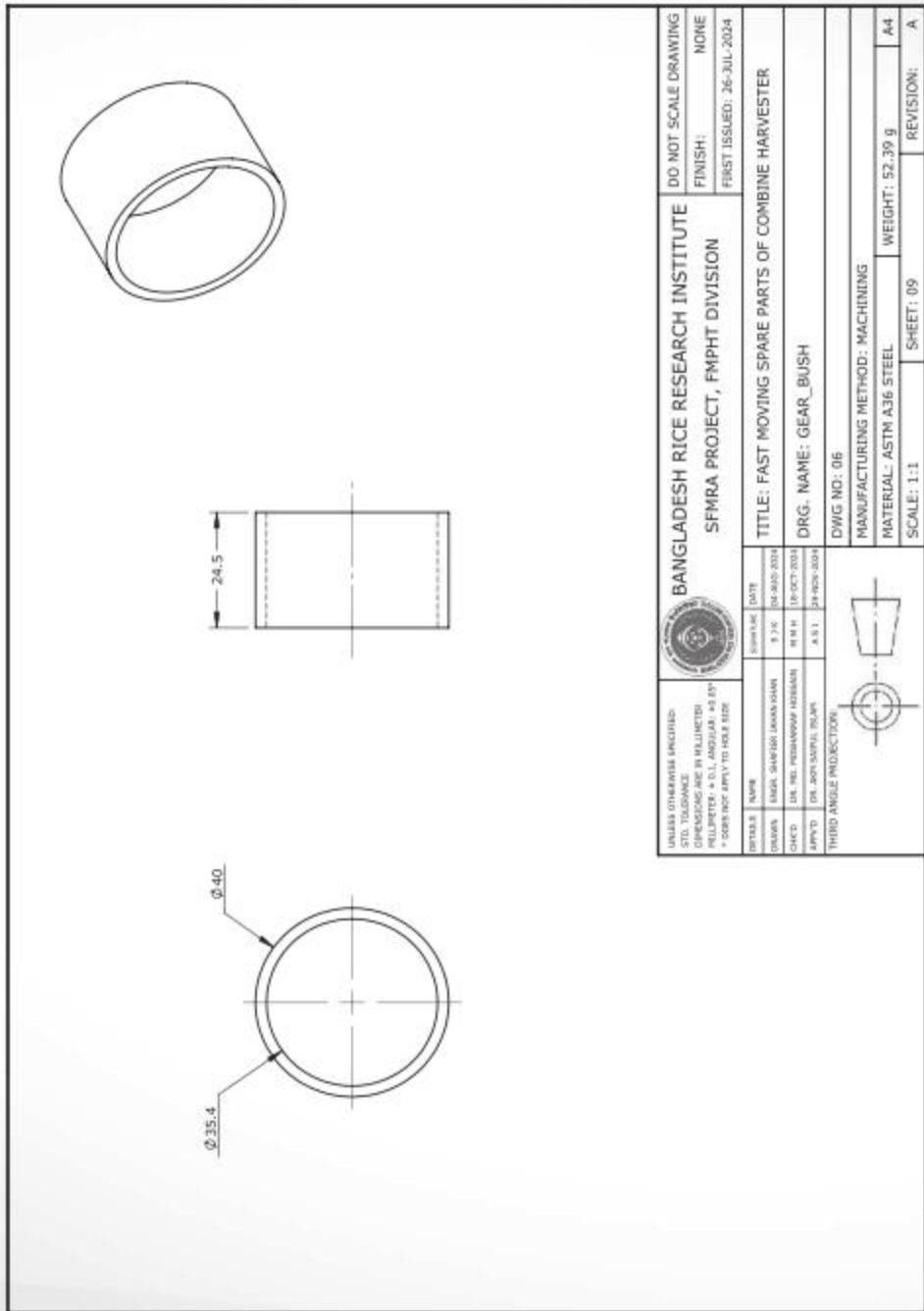
A4


SCALE: 1:1

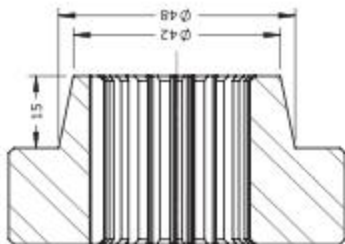
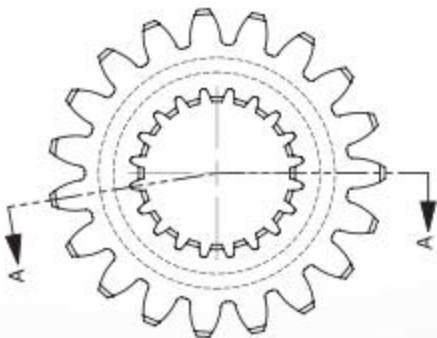
SHEET: 08

REVISION: A





UNLESS OTHERWISE SPECIFIED: STD. TOLERANCE DIMENSIONS ARE IN MILLIMETERS HOLE/SHAFT: H8/g7, ANGULAR: AS ESY * DIMENSIONS APPLY TO HOLE SIZE				BANGLADESH RICE RESEARCH INSTITUTE SFMRA PROJECT, FMPPT DIVISION		DO NOT SCALE DRAWING FINISH: NONE FIRST ISSUED: 26-JUL-2024	
DESIGNER	NAME	SIGNATURE	DATE	TITLE: FAST MOVING SPARE PARTS OF COMBINE HARVESTER			
CHKD	DR. HEL. PRASANNOP HASSEMAN	W. M. H.	19-07-2024	DRG. NAME: GEAR_BUSH			
APPVD	DR. SHAMSUL HAQUE	A. S. I.	24-09-2024	DWG NO: 06			
THIRD ANGLE PROJECTION				MANUFACTURING METHOD: MACHINING			
				MATERIAL: ASTM A36 STEEL			
				SCALE: 1:1			
				SHEET: 09		REVISION: A	
				WEIGHT: 52.39 g		A4	



[N.B: (1.0mmx45°) CHAMFER FOR EACH GEAR TEETH.]

SECTION A-A

SPUR GEAR INFORMATIONS	DETAILS (1)	DETAILS (2)
MODULE	3.25	1.7
NUMBER OF TEETH	19	20
ADDENDUM CIRCLE DIAMETER	68.25mm	35.4mm
DEDENDUM CIRCLE DIAMETER	53.63mm	29.75mm
PRESSURE ANGLE	20°	
WHAOLE DEPTH	7.313mm	2.825mm
CLEARANCE	0.813mm	0.425mm
BACKLASH	0.098mm	0.051mm
FACE WIDTH	20mm	35mm



BANGLADESH RICE RESEARCH INSTITUTE
SFMRA PROJECT, FMPPT DIVISION

DO NOT SCALE DRAWING
FINISH: NONE
FIRST ISSUED: 26-JUL-2024

UNLESS OTHERWISE SPECIFIED:
STD. TOLERANCE
DIMENSIONS ARE IN MILLIMETERS
HOLE PATTERN - H & D, ANGULAR - H & D
* DIMENSIONS APPLY TO HOLE SIZE

REVISED	NAME	SIGNATURE	DATE
01	MD. SAHURAJ UDDIN	[Signature]	04-JUL-2024
02	DR. HAZI RAHMANUZZAMAN	[Signature]	19-OCT-2024
03	DR. SAHURAJ UDDIN	[Signature]	24-NOV-2024

TITLE: FAST MOVING SPARE PARTS OF COMBINE HARVESTER

DRG. NAME: MATING_GEAR_SERIES-1_GEAR-2

DWG NO: 07

MANUFACTURING METHOD: MACHINING

MATERIAL: ASTM A36 STEEL

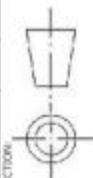
WEIGHT: 433.82 g

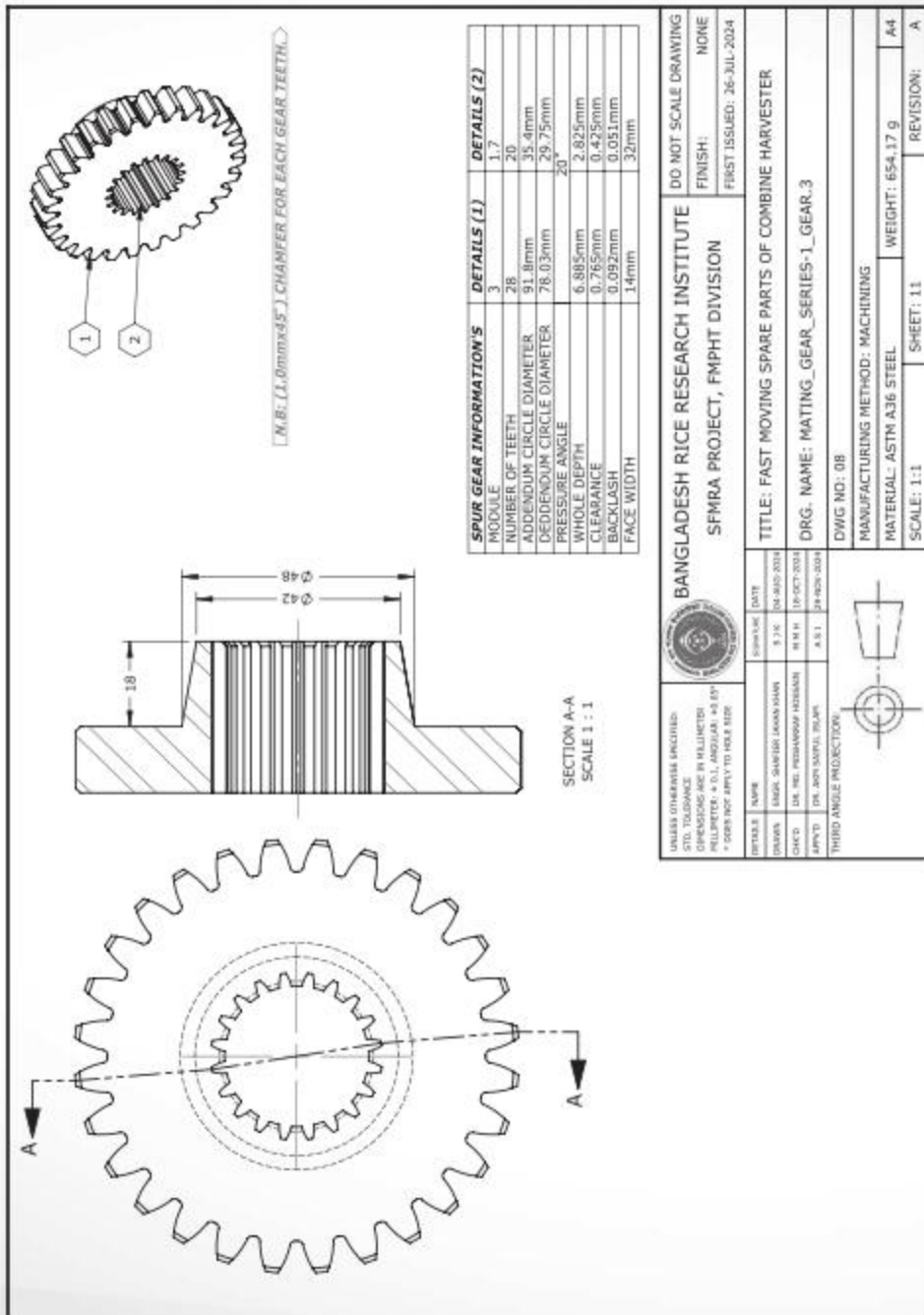
A4

SCALE: 1:1

SHEET: 10

REVISION: A





[N.B: (1.0mmx45°) CHAMFER FOR EACH GEAR TEETH.]



SPUR GEAR INFORMATION'S	DETAILS
MODULE	1.7
NUMBER OF TEETH	20
ADDENDUM CIRCLE DIAMETER	34.9mm
PRESSURE ANGLE	20°
WHOLE DEPTH	3mm
CLEARANCE	0.425mm
BACKLASH	0.051mm
FACE WIDTH	145mm

UNLESS OTHERWISE SPECIFIED:
STD. TOLERANCE
DIMENSIONS ARE IN MILLIMETERS
HOLE/PITCHER: +0.01 ANGULAR: ±0.5°
* DIMS NOT APPLY TO HOLE SIZE



BANGLADESH RICE RESEARCH INSTITUTE
SFMR PROJECT, FMPDT DIVISION

DO NOT SCALE DRAWING
FINISH: NONE
FIRST ISSUED: 26-JUL-2024

DESIGNER	NAME	SIGNATURE	DATE
DESIGNER	MD. SAHURUJAMAN KHAN	B. J.K	04-JUL-2024
CHECKED	DR. HIL. FEROZUZZAMAN	M.M.H	15-OCT-2024
APPROVED	DR. SAHURUJAMAN KHAN	A.S.I	24-NOV-2024

TITLE: FAST MOVING SPARE PARTS OF COMBINE HARVESTER

DRG. NAME: ADJUSTING_GEAR_SHAFT

DWG NO: 09

MANUFACTURING METHOD: MACHINING

MATERIAL: ASTM A36 STEEL

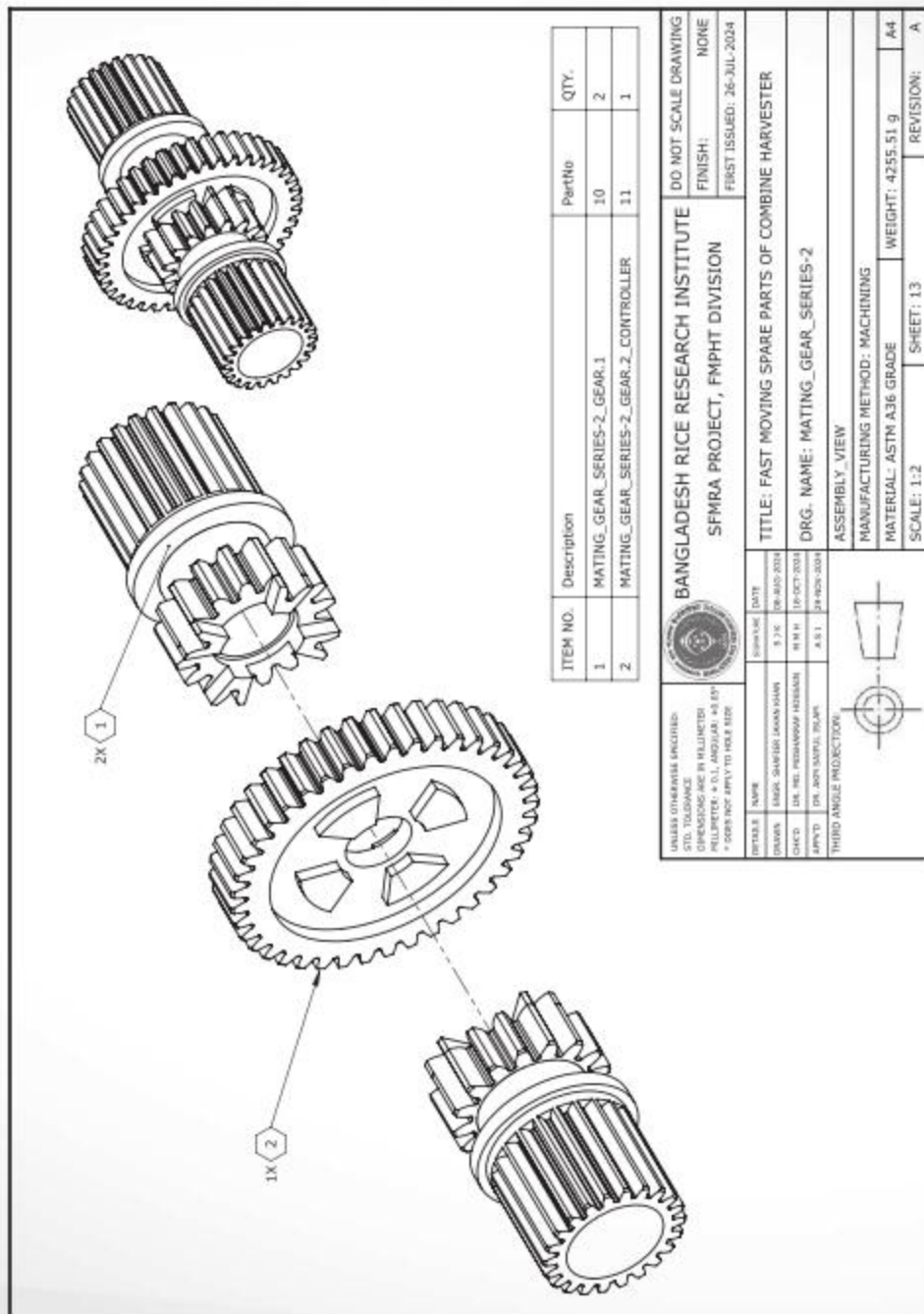
SCALE: 1:2

WEIGHT: 1016.32 g

A4

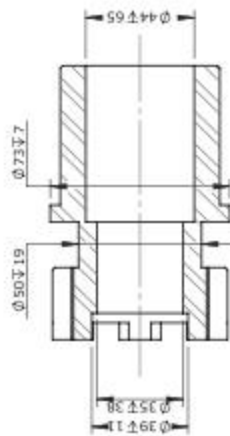
REVISION: A



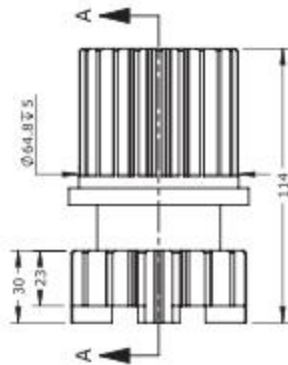


ITEM NO.	Description	PartNo	QTY.
1	MATING_GEAR_SERIES-2_GEAR.1	10	2
2	MATING_GEAR_SERIES-2_GEAR.2_CONTROLLER	11	1

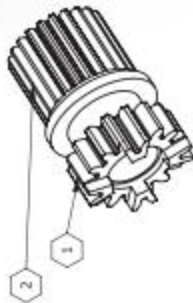
UNLESS OTHERWISE SPECIFIED: STD. TOLERANCE DIMENSIONS ARE IN MILLIMETERS HELLIPSE: ± 0.1 , ANGULAR: $\pm 0.5^\circ$ * DIMS NOT APPLY TO HOLE SIZE		BANGLADESH RICE RESEARCH INSTITUTE SFMRA PROJECT, FMPHT DIVISION	DO NOT SCALE DRAWING FINISH: NONE FIRST ISSUED: 26-JUL-2024
	TITLE: FAST MOVING SPARE PARTS OF COMBINE HARVESTER		
DRG. NAME: MATING_GEAR_SERIES-2			
ASSEMBLY VIEW MANUFACTURING METHOD: MACHINING MATERIAL: ASTM A36 GRADE SCALE: 1:2			
WEIGHT: 4255.51 g SHEET: 13			REVISION: A



SECTION A-A



DETAIL B
SCALE 1 : 1



[N.B: (1.0mmx45°) CHAMFER FOR EACH GEAR TEETH.]

SPUR GEAR INFORMATION'S	DETAILS (1)	DETAILS (2)
MODULE	4	2.75
NUMBER OF TEETH	16	22
ADDENDUM CIRCLE DIAMETER	72mm	64.8mm
DODDENDUM CIRCLE DIAMETER	54mm	52.65mm
BASE CIRCLE DIAMETER	60.13mm	55.818mm
PRESSURE ANGLE	20°	
WHOLE DEPTH	9mm	6.075mm
CLEARANCE	1mm	0.675mm
BACKLASH	0.126mm	0.081mm
FACE WIDTH	23mm	52mm

UNLESS OTHERWISE SPECIFIED:
STD. TOLERANCE
DIMENSIONS ARE IN MILLIMETER
HOLE/SHAFT - H8/f7
* DIMENSIONS APPLY TO HOLE SIZE

ITEM NO.	NAME	SIGNATURE	DATE
000001	DESIGNER: MEGHA SANKHAR JANA/ANAN	[Signature]	06-08-2024
000002	CHECKED: DR. HELI PRASANNOPAD ARZHAMAN	[Signature]	10-07-2024
000003	APPROVED: DR. SRI SURESH KUMAR	[Signature]	04-08-2024

THIRD ANGLE PROJECTION



DO NOT SCALE DRAWING
FINISH: NONE
FIRST ISSUED: 26-JUL-2024

BANGLADESH RICE RESEARCH INSTITUTE
SFMRA PROJECT, FMPPT DIVISION

TITLE: FAST MOVING SPARE PARTS OF COMBINE HARVESTER

DRG. NAME: MATING_GEAR_SERIES-2_GEAR.1

DWG NO: 10

MANUFACTURING METHOD: MACHINING

MATERIAL: ASTM A36 STEEL

WEIGHT: 1310.09 g

A4

SCALE: 1:2

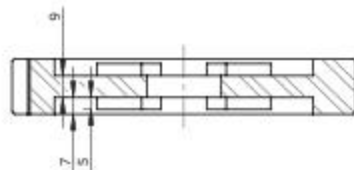
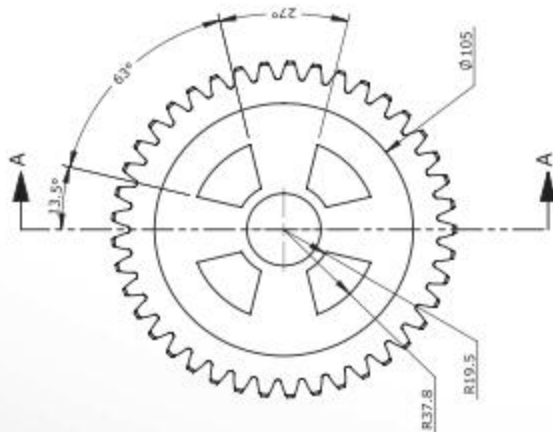
SHEET: 14

REVISION: A

[N.B: FOUR TEETHS FOLLOWING SAME GEAR TOOTH PROFILE HAS BEEN EXTRUDED (7mm). THESE WILL ACT AS A LOCK WITH THE OTHER MATING GEAR.]



[N.B: (1.0mmx45°) CHAMFER FOR EACH GEAR TEETH.]



SECTION A-A

SPUR GEAR INFORMATION'S	DETAILS
MODULE	3.25
NUMBER OF TEETH	41
ADDENDUM CIRCLE DIAMETER	139.75mm
DEDENDUM CIRCLE DIAMETER	125.125mm
PRESSURE ANGLE	20°
BASE CIRCLE DIAMETER	125.214mm
WHOLE DEPTH	7.313mm
CLEARANCE	0.813mm
BACKLASH	0.097mm
FACE WIDTH	23mm
SHAFT DIAMETER	30mm

UNLESS OTHERWISE SPECIFIED:
STD. TOLERANCE
DIMENSIONS ARE IN MILLIMETERS
HOLE/FITTING: H8/g7, ANGULAR: ±0.5°
* DIMENSIONS APPLY TO HOLE SIZE



BANGLADESH RICE RESEARCH INSTITUTE
SFMRA PROJECT, FMPPT DIVISION

DO NOT SCALE DRAWING
FINISH: NONE
FIRST ISSUED: 26-JUL-2024

REVISION	DATE	BY	DATE
01	06-JUL-2024	S.J.K.	06-JUL-2024
02	15-OCT-2024	M.M.H.	15-OCT-2024
03	24-NOV-2024	A.S.I.	24-NOV-2024

TITLE: FAST MOVING SPARE PARTS OF COMBINE HARVESTER
DRG. NAME: MATING_GEAR_SERIES-2_GEAR-2_CONTROLLER



DWG NO: 11

MANUFACTURING METHOD: MACHINING

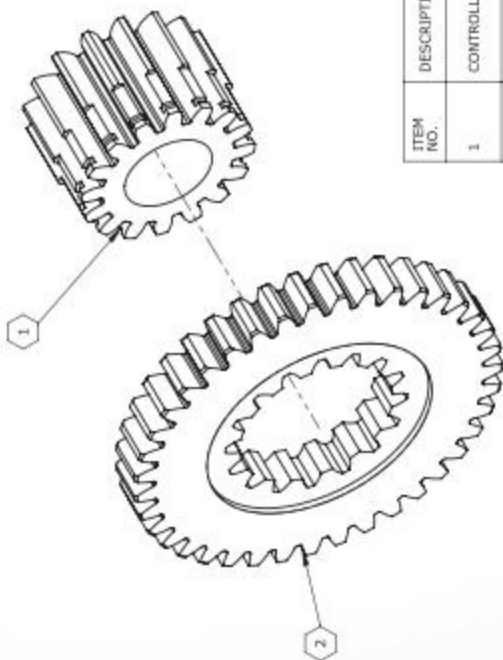
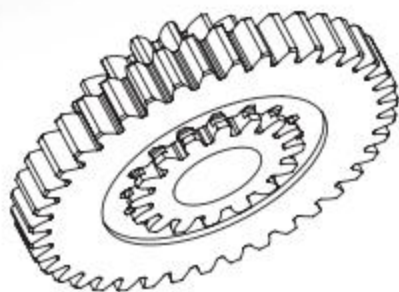
MATERIAL: ASTM A36 STEEL

SCALE: 1:2

WEIGHT: 1635.34 g

A4

REVISION: A



ITEM NO.	DESCRIPTION	PartNo	QTY.
1	CONTROLLER_GEAR_OF_AXLE_SHAFT_GEAR	12	1
2	TRANSMISSION_GEAR_(FROM_MATING_GEAR_SERIES-2)	13	1

UNLESS OTHERWISE SPECIFIED:
 STD. TOLERANCE
 DIMENSIONS ARE IN MILLIMETERS
 HELLIPSE: ± 0.1 , ANGULAR: $\pm 0.5^\circ$
 * DIMS NOT APPLY TO HOLE SIZE



BANGLADESH RICE RESEARCH INSTITUTE
 SFMRA PROJECT, FMPHT DIVISION

DO NOT SCALE DRAWING
 FINISH: NONE
 FIRST ISSUED: 26-JUL-2024

DATE	BY	DATE	BY
06-08-2024	S.J.C	06-08-2024	
19-07-2024	M.M.H	19-07-2024	
24-02-2024	A.S.I	24-02-2024	

TITLE: FAST MOVING SPARE PARTS OF COMBINE HARVESTER

DRG. NAME: MATING_GEAR_SERIES-3

ASSEMBLY VIEW

MANUFACTURING METHOD: MACHINING

MATERIAL: ASTM A36 GRADE STEEL

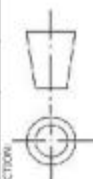
WEIGHT: 3351.85 g

A4

SCALE: 1:2

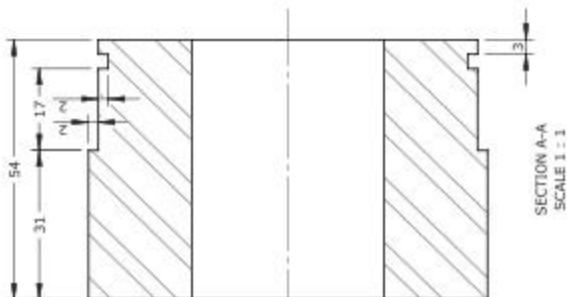
SHEET: 16

REVISION: A

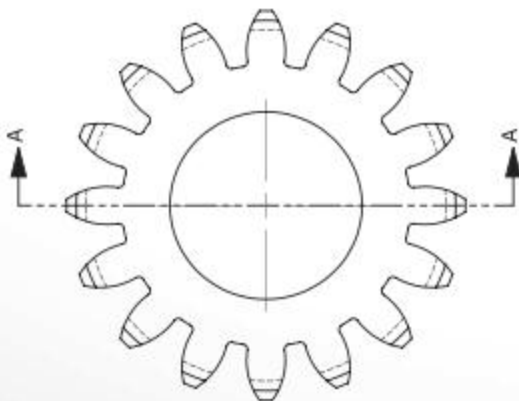




(N.B: 1.0mmx55°) CHAMFER FOR EACH GEAR TEETH.



SECTION A-A
SCALE 1 : 1



SPUR GEAR INFORMATION'S	DETAILS
MODULE	4.5
NUMBER OF TEETH	16
ADDENDUM CIRCLE DIAMETER	81mm
DEDDENDUM CIRCLE DIAMETER	60.75mm
PRESSURE ANGLE	20°
BASE CIRCLE DIAMETER	67.658mm
WHOLE DEPTH	10.125mm
CLEARANCE	1.125mm
BACKLASH	0.135mm
FACE WIDTH	54mm
SHAFT DIAMETER	39mm

UNLESS OTHERWISE SPECIFIED:
STD. TOLERANCE
DIMENSIONS ARE IN MILLIMETERS
HOLE/PITCHER: +0.01 ANGULAR: ±0.5°
* DIMENSIONS APPLY TO HOLE SIZE

REVISION	DATE	BY	CHKD	APPVD
01	06-08-2024	S.J.C	M.M.H	A.S.I
02	19-07-2024			
03	24-09-2024			

THIRD ANGLE PROJECTION



BANGLADESH RICE RESEARCH INSTITUTE
SFMRA PROJECT, FMPHT DIVISION

DO NOT SCALE DRAWING
FINISH: NONE
FIRST ISSUED: 26-JUL-2024

TITLE: FAST MOVING SPARE PARTS OF COMBINE HARVESTER

DRG. NAME: CONTROLLER_GEAR_OF_AXLE_SHAFT_GEAR

DWG NO: 12

MANUFACTURING METHOD: MACHINING

MATERIAL: ASTM A36 STEEL

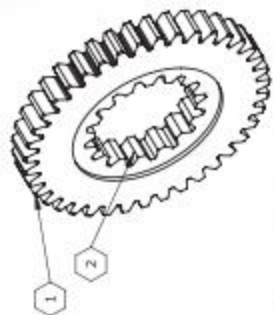
WEIGHT: 1113.01 g

A4

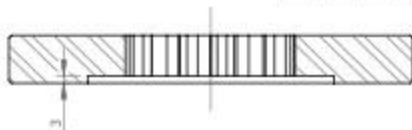
SCALE: 1:1

SHEET: 17

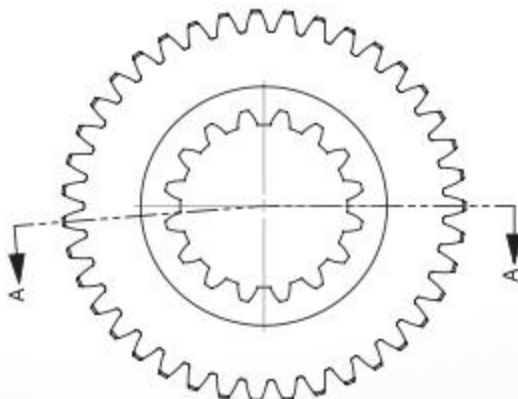
REVISION: A



[N.B. (1.0mmx0.5) CHAMFER FOR EACH GEAR TEETH.]



SECTION A-A



SPUR GEAR INFORMATION'S	DETAILS (1)	DETAILS (2)
MODULE	4	4.5
NUMBER OF TEETH	39	16
ADDENDUM CIRCLE DIAMETER	164mm	81mm
DEDENDUM CIRCLE DIAMETER	146mm	60.75mm
PRESSURE ANGLE	20°	
WHOLE DEPTH	9mm	10.125mm
CLEARANCE	1mm	1.125mm
BACKLASH	0.12mm	0.135mm
FACE WIDTH	20mm	17mm



BANGLADESH RICE RESEARCH INSTITUTE
SFMRA PROJECT, FMPHT DIVISION

DO NOT SCALE DRAWING
FINISH: NONE
FIRST ISSUED: 26-JUL-2024

DETAILS	NAME	DATE
DRAWN	ENGR. SHAMIR ZAMAN SHAMIR	26-JUL-2024
CHECKD	ENR. MD. ABDURRAHMAN HOSAIN	18-OCT-2024
APPROV	DR. JAHANNAH TALUK	26-JUL-2024

TITLE: FAST MOVING SPARE PARTS OF COMBINE HARVESTER

DRG. NAME: TRANSMISSION_GEAR_(FROM_MATING_GEAR_SERIES-2)

DRG NO: 13

MANUFACTURING METHOD: MACHINING

MATERIAL: ASTM A36 STEEL

WEIGHT: 2238.84 g

A4

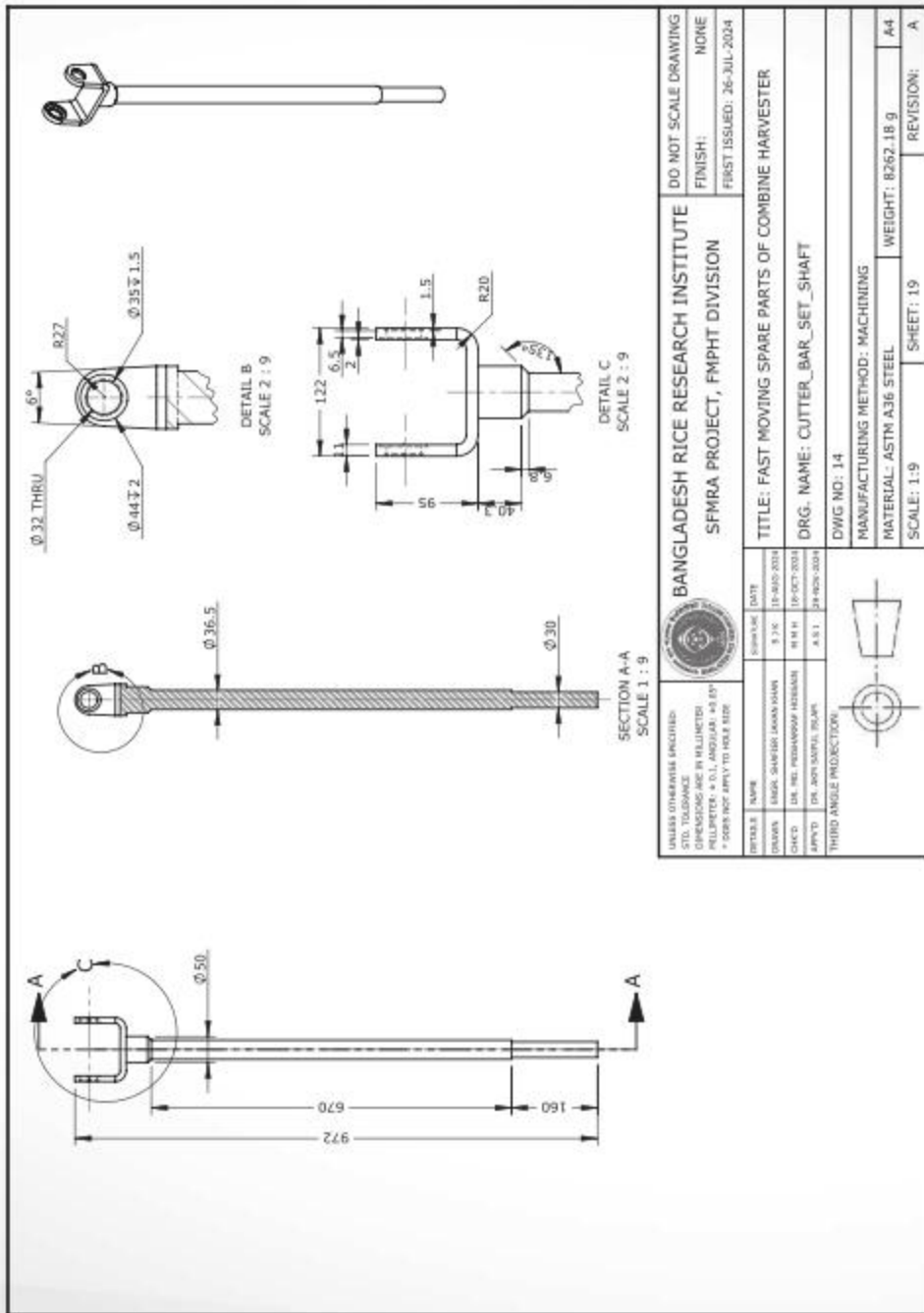
SCALE: 1:2



SHEET: 1/8

REVISION: A

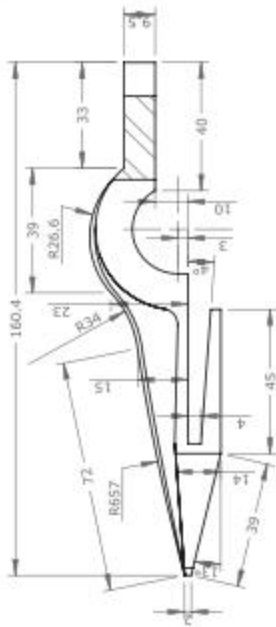
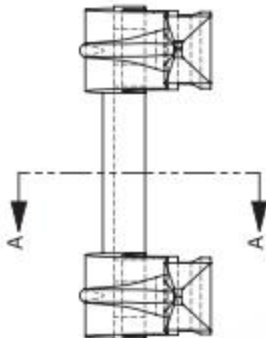


THIRD ANGLE PROJECTION



UNLESS OTHERWISE SPECIFIED: STD. TOLERANCE DIMENSIONS ARE IN MILLIMETERS HOLE DIMENSIONS ARE IN MILLIMETERS * DIMENSIONS APPLY TO HOLE SIZE				DO NOT SCALE DRAWING
TITLE: FAST MOVING SPARE PARTS OF COMBINE HARVESTER DRG. NAME: CUTTER_BAR_SET_SHAFT DWG NO: 14 MANUFACTURING METHOD: MACHINING MATERIAL: ASTM A36 STEEL SCALE: 1:9		BANGLADESH RICE RESEARCH INSTITUTE SFMRA PROJECT, FMPHT DIVISION		FINISH: NONE FIRST ISSUED: 26-JUL-2024
DESIGNED BY: SAHARUJAMAN KHAN CHECKED BY: HAZI. PERSHAWAR HAZIEMAN APPROVED BY: DR. SHARIFUL HOQUE	DATE: 16-AUG-2024 IN CHARGE: 19-OCT-2024 DATE: 24-APR-2024	THIRD ANGLE PROJECTION 		WEIGHT: 8262.18 g REVISION: A

N.B: NOT A COMPLETE DRAWING.
 N.B: VIEW SHEET NUMBER 21.
 *ONLY FRONT VIEWS HAS SHOWN HERE.



SECTION A-A
 SCALE 2 : 3

UNLESS OTHERWISE SPECIFIED:
 STD. TOLERANCE
 DIMENSIONS ARE IN MILLIMETERS
 HOLLOW PIPES - ALL ANGULAR - AS SHOWN
 * DIMENSIONS APPLY TO HOLE SIZE



BANGLADESH RICE RESEARCH INSTITUTE
 SFMRA PROJECT, FMPHT DIVISION

DO NOT SCALE DRAWING
 FINISH: NONE
 FIRST ISSUED: 26-JUL-2024

DESIGNER	NAME	SIGNATURE	DATE
DESIGNED BY	MD. SAHURAJ UDDIN	[Signature]	10-08-2024
CHECKED BY	DR. HAZIRUZZAMAN	[Signature]	10-07-2024
APPROVED BY	DR. SAHURAJ UDDIN	[Signature]	24-08-2024

TITLE: FAST MOVING SPARE PARTS OF COMBINE HARVESTER

DRG. NAME: BLADE_GUIDE

DWG NO: 15

MANUFACTURING METHOD: MOLDING, MACHINING

MATERIAL: ASTM A36 STEEL

WEIGHT: 718.86 g

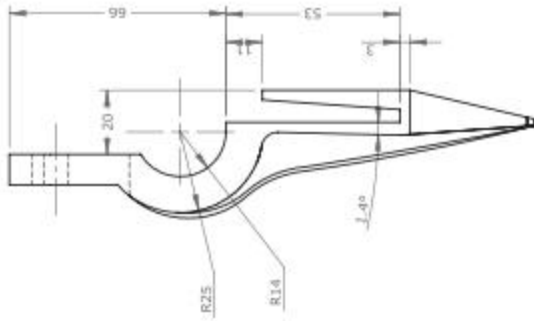
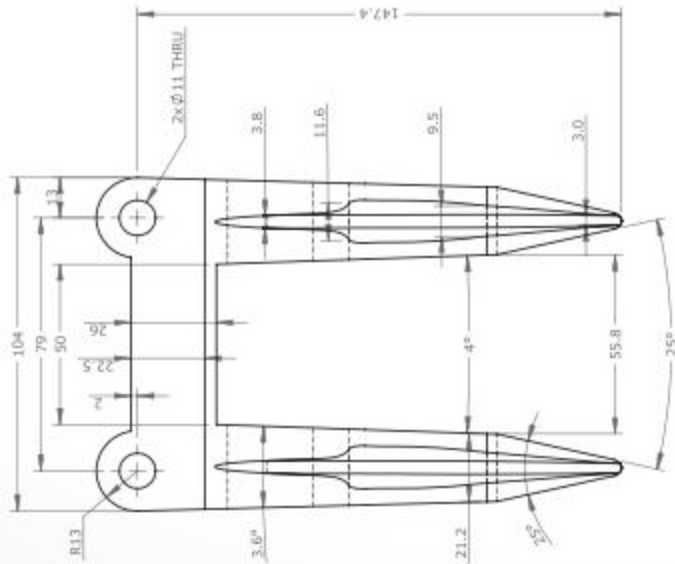
SCALE: 2:3

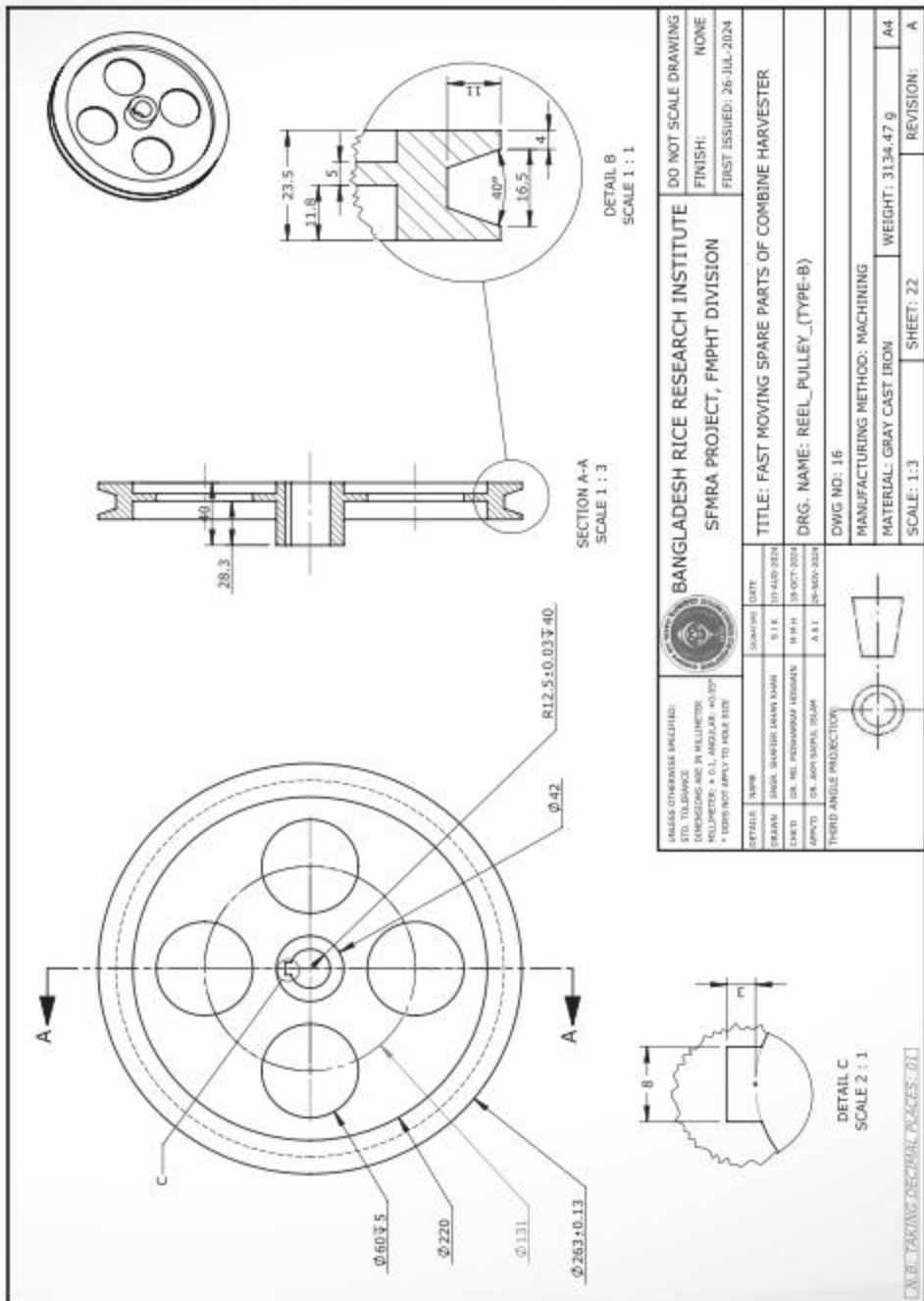
SHEET: 20

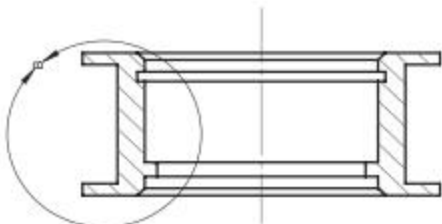
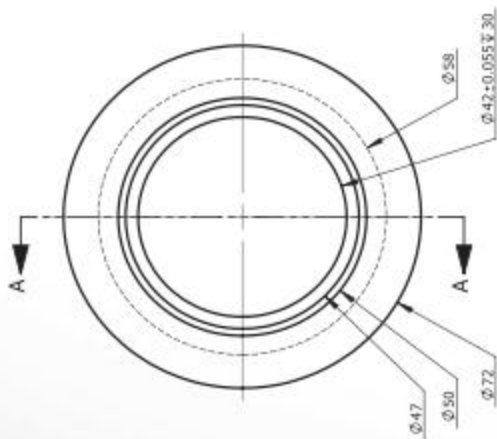
REVISION: A



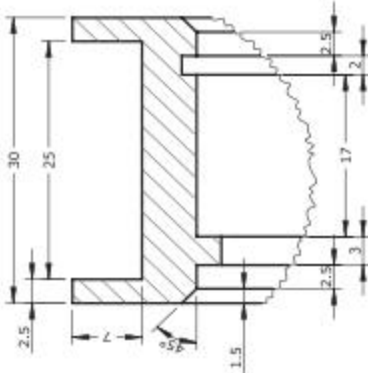
H.B: NOT A COMPLETE DRAWING.
 H.B: VIEW SHEET NUMBER 21.
 *ONLY RIGHT AND TOP VIEWS HAS SHOWN HERE.







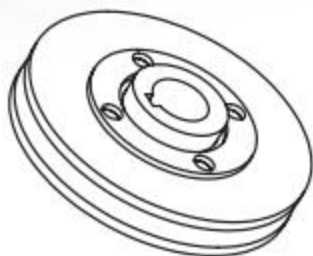
SECTION A-A
SCALE 1 : 1



DETAIL B
SCALE 2 : 1

VALUES OTHER THAN SPECIFIED: STD. TOLERANCES: DIMENSIONS ARE IN MILLIMETER FINISHES ARE AS SHOWN UNLESS NOTED * DIMS NOT APPLY TO HOLE SIZE.				BANGLADESH RICE RESEARCH INSTITUTE SFMRA PROJECT, FMPHT DIVISION		DO NOT SCALE DRAWING FINISH: NONE FIRST ISSUED: 26-JUL-2024	
DETAILS	NAME	REVISION	DATE	TITLE: FAST MOVING SPARE PARTS OF COMBINE HARVESTER			
DESIGNER	ENGR. SHAFIQ UDDIN KHAN	5/24	18-AUG-2024	DRG. NAME: SUPPORT_ROD_TENSION_PULLEY_1			
CHECKED	DR. MD. MOHAMMAD HOSSAIN	11/11/24	18-OCT-2024	PART NO: 17			
APPROVED	DR. MD. SAHAJ ULLAH	4/5/24	20-NOV-2024	MANUFACTURING METHOD: MACHINING			
THIRD ANGLE PROJECTION:				MATERIAL: A-GLASS FIBER SCALE: 1:1 SHEET: 23			
				WEIGHT: 84.46 g A4		REVISION: A	

FAST MOVING SPARE PARTS OF COMBINE HARVESTER



ITEM NO.	DESCRIPTION	PartNo	QTY.
1	SUPPORT_ROD_PULLEY_PART-1	18	1
2	SUPPORT_ROD_PULLEY_PART-2	19	1
3	SUPPORT_ROD_PULLEY_PART-3_(FLANGE)	20	1

UNLESS OTHERWISE SPECIFIED:
 STD. TOLERANCE
 DIMENSIONS ARE IN MILLIMETER
 HOLE SIZE: +0.000 / -0.030
 UNLESS NOTED OTHERWISE
 FINISH: NONE
 FIRST ISSUED: 26-JUL-2024



BANGLADESH RICE RESEARCH INSTITUTE
 SFMRA PROJECT, FMPHT DIVISION

DO NOT SCALE DRAWING
 FINISH: NONE
 FIRST ISSUED: 26-JUL-2024

DESIGNER: NAME: HANIF BAKHT SHARIF
 DATE: 20-AUG-2024
 CHECKED: DR. MD. MOHAMMAD HOSSEIN
 DATE: 05-OCT-2024
 APPROVED: DR. TAN SAPPIL ELARI
 DATE: 29-NOV-2024

TITLE: FAST MOVING SPARE PARTS OF COMBINE HARVESTER

DRG. NAME: SUPPORT ROD PULLEY

ASSEMBLY VIEW

MANUFACTURING METHOD: MACHINING

MATERIAL: CAST IRON

SCALE: 1:2

WEIGHT: 1528.97 g

A4

SHEET: 24

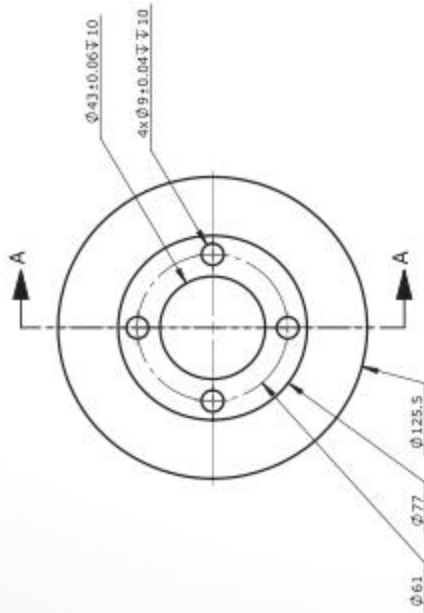
REVISION: A



UNLESS OTHERWISE SPECIFIED: 0.1



SECTION A-A
SCALE 1 : 2

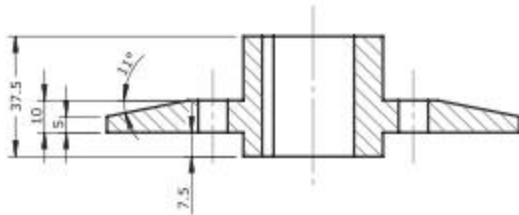


		BANGLADESH RICE RESEARCH INSTITUTE SFMRA PROJECT, FMPHT DIVISION		DO NOT SCALE DRAWING FINISH: NONE FIRST ISSUED: 26-JUL-2024	
UNLESS OTHERWISE SPECIFIED: DIMENSIONS ARE IN MILLIMETER TOLERANCES: ± 0.1 ANGULAR: ± 0.05° * DIMS NOT APPLY TO HOLE SIZE		TITLE: FAST MOVING SPARE PARTS OF COMBINE HARVESTER.			
DRG. NAME: SUPPORT_ROD_PULLEY_PART-1	PART NO: 18				
MANUFACTURING METHOD: MACHINING		MATERIAL: GRAY CAST IRON		WEIGHT: 618.51 g	
SCALE: 1:2		SHEET: 25		REVISION: A	
THIRD ANGLE PROJECTION					
REVISIONS NO. DATE 01 01/10/2024 02 08/10/2024 03 26/07/2024	DRAWN BY: SADEK JAHAN GANI	CHECKED BY: DR. MD. MOHAMMAD HUSSAIN	DATE 26-07-2024		

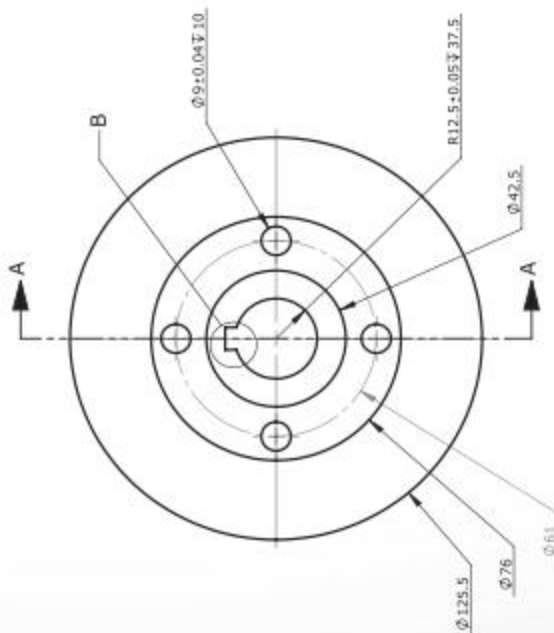
[/B: YAKING DESIGN PLACES: 0]



DETAIL B
SCALE 2 : 1

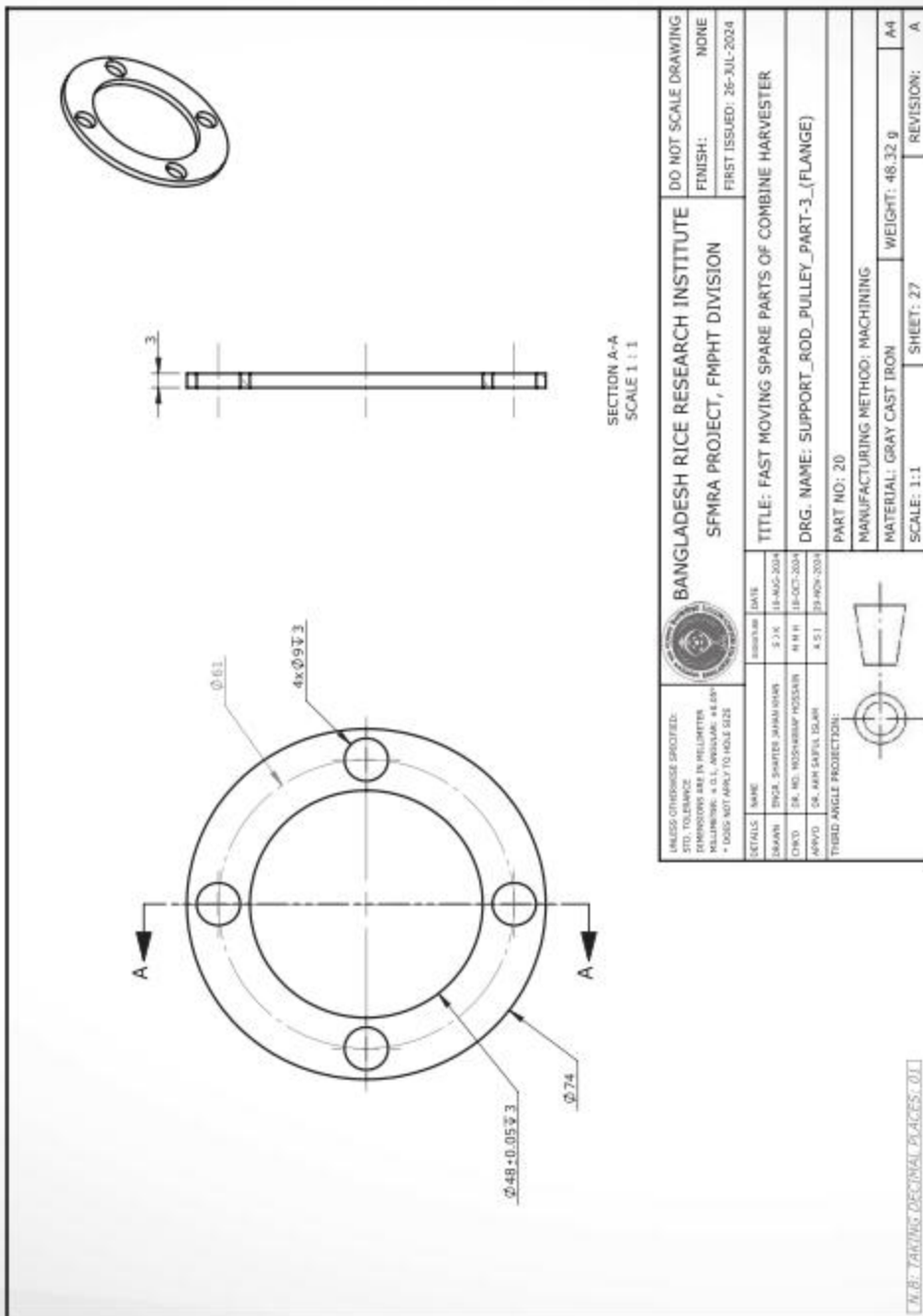


SECTION A-A
SCALE 2 : 3



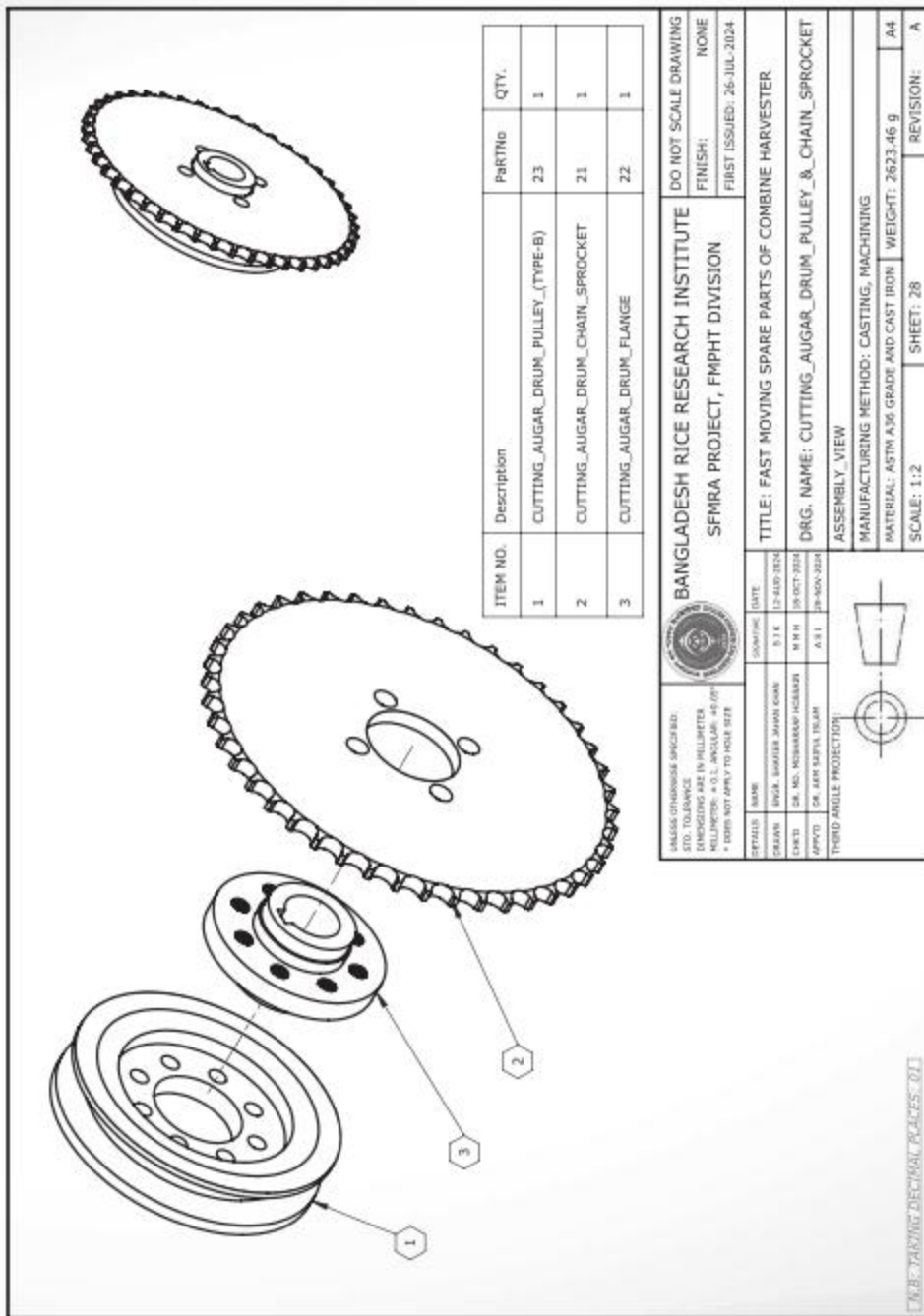
UNLESS OTHERWISE SPECIFIED: DIMENSIONS ARE IN MILLIMETER TOLERANCES: A 0.1, ANGULAR: 45/0/0 * DIMS NOT APPLY TO HOLE SIZE		BANGLADESH RICE RESEARCH INSTITUTE SFMRA PROJECT, FMPHT DIVISION		DO NOT SCALE DRAWING FINISH: NONE FIRST ISSUED: 26-JUL-2024	
DETAILS	DATE	DRAWING	DATE	TITLE: FAST MOVING SPARE PARTS OF COMBINE HARVESTER.	
DESIGN	D. F.K.	10-SEP-2024		DRG. NAME: SUPPORT_ROD_PULLEY_PART-2	
CHECK	M. M.H.	08-OCT-2024		PART NO: 19	
APPROV	A.S.I.	26-JUL-2024		MANUFACTURING METHOD: MACHINING	
THIRD ANGLE PROJECTION			MATERIAL: GRAY CAST IRON		
			WEIGHT: 862.15 g		
			SCALE: 2:3		
			SHEET: 26		
			REVISION: A		

[N.B. DRAWING DEPARTMENT PLACES-01]



UNLESS OTHERWISE SPECIFIED: STD. TOLERANCES DIMENSIONS ARE IN MILLIMETERS HOLLOWING: A.G.L. AVAILABLE AS SHOWN * DOES NOT APPLY TO HOLE SIZE				BANGLADESH RICE RESEARCH INSTITUTE SFMR PROJECT, FMPHT DIVISION		DO NOT SCALE DRAWING FINISH: NONE FIRST ISSUED: 26-JUL-2024	
DESIGNS DR/AN/1 CHKD/ DR. MD. MOSHAMMAD HOSSAIN APPVD/ DR. AMRANULLAH ISLAM	DRAWN S J K 14-NOV-2024	CHECKED M M H 18-OCT-2024	DATE 14-NOV-2024	TITLE: FAST MOVING SPARE PARTS OF COMBINE HARVESTER DRG. NAME: SUPPORT_ROD_PULLEY_PART-3_(FLANGE)			
THIRD ANGLE PROJECTION:				PART NO: 20			
				MANUFACTURING METHOD: MACHINING			
MATERIAL: GRAY CAST IRON				WEIGHT: 48.32 g			
SCALE: 1:1				SHEET: 27			
REVISION: A				REVISION: A			

ALL DIMENSIONS IN DECIMAL PLACES: 01



ITEM NO.	Description	PartNo	QTY.
1	CUTTING_AUGAR_DRUM_PULLEY_(TYPE-B)	23	1
2	CUTTING_AUGAR_DRUM_CHAIN_SPROCKET	21	1
3	CUTTING_AUGAR_DRUM_FLANGE	22	1

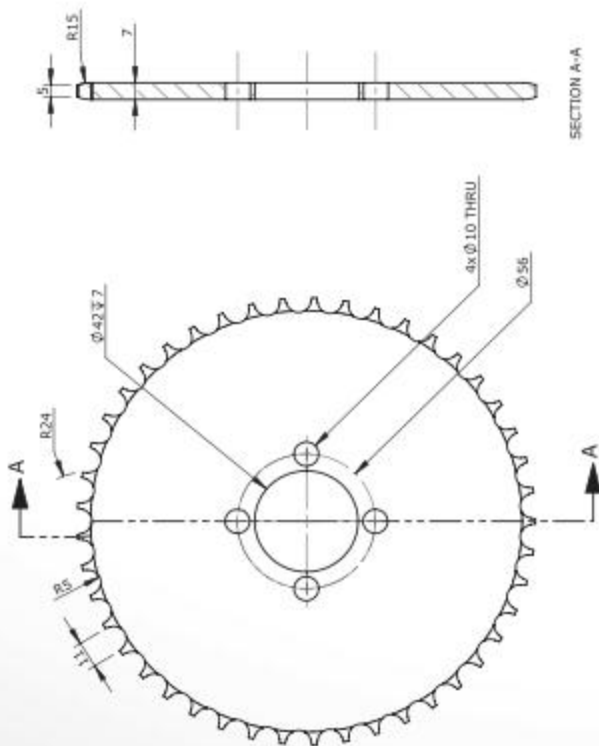
<p>UNLESS OTHERWISE SPECIFIED: DIMENSIONS ARE IN MILLIMETER FINISHES: A O.L. ANGULAR: 45/0° * DIMS NOT APPLY TO HOLE SIZE</p>		<p>DATE: 12-AUG-2024 D.T.K. N.P.H. A.S.I.</p>	
<p>DESIGNED BY: SA. SAHABUDDIN CHECKED BY: DR. MD. MOHAMMAD HUSSAIN APPROVED BY: DR. SAHABUDDIN</p>		<p>DATE: 12-AUG-2024 D.T.K. N.P.H. A.S.I.</p>	
<p>THIRD ANGLE PROJECTION</p>			
<p>ASSEMBLY VIEW</p>			
<p>MANUFACTURING METHOD: CASTING, MACHINING</p>			
<p>MATERIAL: ASTM A36 GRADE AND CAST IRON WEIGHT: 2623.46 g</p>			
<p>SCALE: 1:2</p>			
<p>SHEET: 28</p>		<p>REVISION: A</p>	

DO NOT SCALE DRAWING
 FINISH: NONE
 FIRST ISSUED: 26-JUL-2024

BANGLADESH RICE RESEARCH INSTITUTE
 SFMRA PROJECT, FMPHT DIVISION

TITLE: FAST MOVING SPARE PARTS OF COMBINE HARVESTER
 DRG. NAME: CUTTING_AUGAR_DRUM_PULLEY_&_CHAIN_SPROCKET

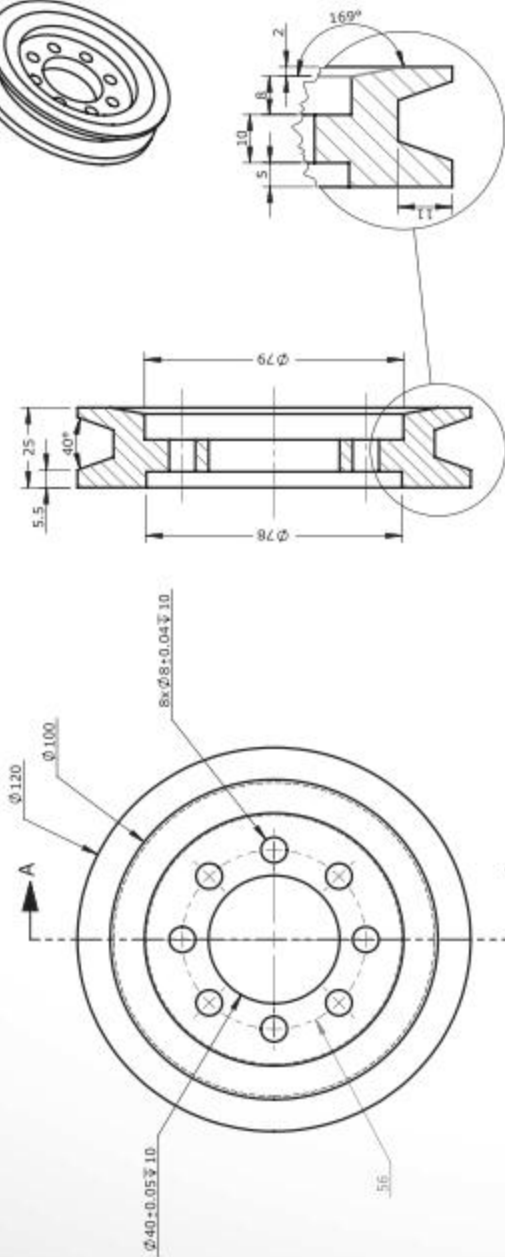
[A.B. TARIK/DR. SAHABUDDIN/DR. SAHABUDDIN]



SPROCKET INFORMATION'S	DETAILS
NUMBER OF TEETH	45
OUTSIDE DIAMETER	186mm
BOTTOM DIAMETER	176mm

SECTION A-A

		BANGLADESH RICE RESEARCH INSTITUTE SFMRA PROJECT, FMPHT DIVISION		DO NOT SCALE DRAWING FINISH: NONE FIRST ISSUED: 26-JUL-2024	
UNLESS OTHERWISE SPECIFIED: STD. TOLERANCE DIMENSIONS ARE IN MILLIMETER HELLNESS: A 0.1, ANGULAR: 45/00° * DIMS NOT APPLY TO HOLE SIZE		TITLE: FAST MOVING SPARE PARTS OF COMBINE HARVESTER. DRG. NAME: CUTTING_AUGAR_DRUM_CHAIN_SPROCKET		DWG NO: 21	
DETAILS	DATE	DATE	DATE	MANUFACTURING METHOD: MACHINING MATERIAL: GRAY CAST IRON SCALE: 1:3	
DESIGN	DR. SAIFUR RAHMAN KHAN	D. I. K.	12-AUG-2024	WEIGHT: 1166.77 g A4	
CHECK	DR. MD. MOHAMMAD HASANAT	M. P. H.	28-OCT-2024	SHEET: 29 REVISION: A	
APPROV	DR. SAIFUR RAHMAN	A. S. I.	28-NOV-2024		
THIRD ANGLE PROJECTION					



DETAIL B
SCALE 1 : 1

SECTION A-A
SCALE 2 : 3



BANGLADESH RICE RESEARCH INSTITUTE
SFMRA PROJECT, FMPHT DIVISION

DO NOT SCALE DRAWING
FINISH: NONE
FIRST ISSUED: 26-JUL-2024

TITLE: FAST MOVING SPARE PARTS OF COMBINE HARVESTER

DRG. NAME: CUTTING AUGUR_DRUM_PULLEY_(TYPE-B)

DWG NO: 23

MANUFACTURING METHOD: MACHINING

MATERIAL: GRAY CAST IRON

WEIGHT: 1028.39 g

A4

SHEET: 31

REVISION: A

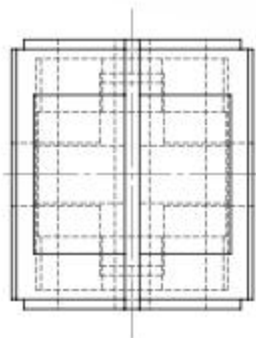
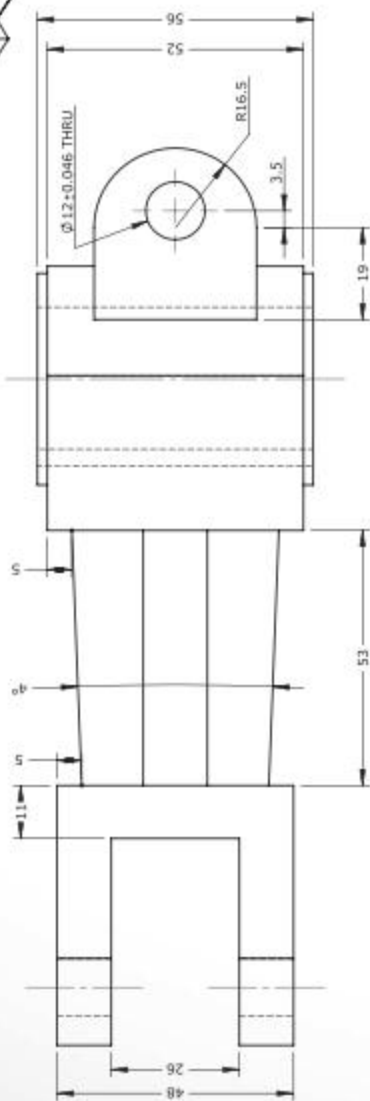
UNLESS OTHERWISE SPECIFIED:
STD. TOLERANCE
DIMENSIONS ARE IN MILLIMETER
NECESSARY: ± 0.1, ANGULAR: ± 0.05
+ DIMS NOT APPLY TO HOLE SIZE

DETAILS	NAME	DESIGNER	DATE
DRMAN	DRUGL SHAFIQE JAHAN KHAN	E.T.E	12-AUG-2024
CHKD	DR. MD. MOSHAMMAD HOSSAIN	M.M.H	10-OCT-2024
APPRD	DR. AMAN SAKIB USMAN	A.S.I	24-NOV-2024

THIRD ANGLE PROJECTION:



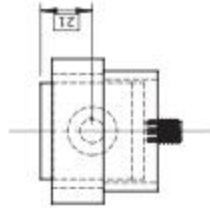
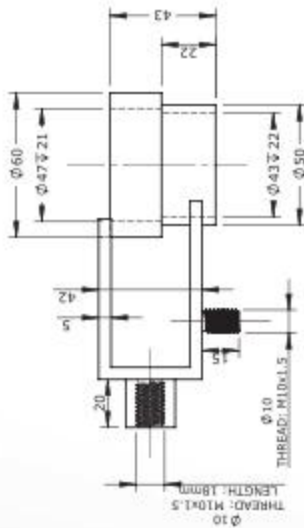
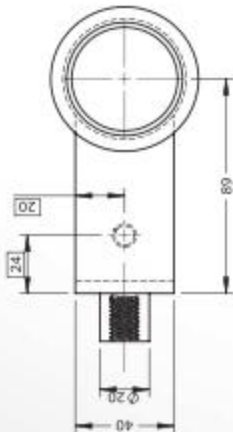
UNITS: TAGGING DECIMAL PLACES: 01



PART NO: 24
SCALE: 1:1
SHEET NO.: 33

N.B: NOT A COMPLETE DRAWING
N.B: ONLY TOP AND RIGHT VIEW DIMENSIONS HAS SHOWN HERE.

N.B: TAKING DECIMAL PLACES: 01



UNLESS OTHERWISE SPECIFIED:
 ISO TOLERANCE
 DIMENSIONS ARE IN MILLIMETER
 MILLIMETERS: A S.I. ANGULAR: AD/90°
 * DOES NOT APPLY TO HOLE SIZE



BANGLADESH RICE RESEARCH INSTITUTE
SFMR PROJECT, FMPPT DIVISION

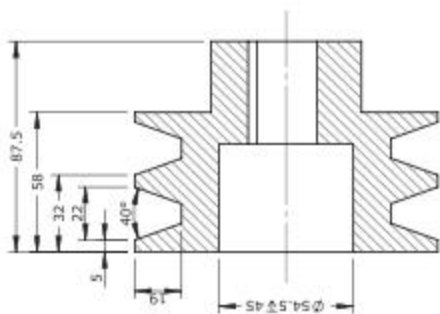
DO NOT SCALE DRAWING
 FINISH: NONE
 FIRST ISSUED: 26-JUL-2024

DETAILS	NAME	DESIGNATOR	DATE
DRAWN	ENGR. SHAFIQUL KHAN KHAN	S.I.K	12-AUG-2024
CHKD	DR. MD. MOHAMMAD ROSHAN	M.R.M	18-OCT-2024
APPROV	DR. AMR SAJJAD USMAN	A.S.U	20-NOV-2024

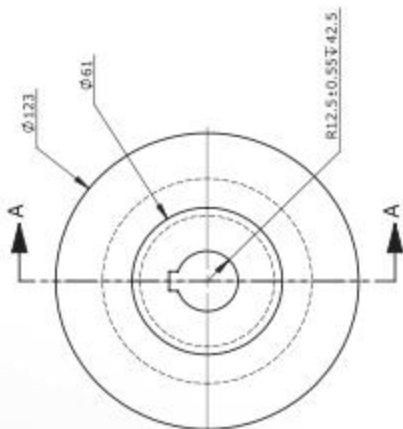
TITLE: FAST MOVING SPARE PARTS OF COMBINE HARVESTER
 DRG. NAME: SIDE HOLDER_OF_SUPPORT_ROD
 DWG NO: 26



MANUFACTURING METHOD: MACHINING
 MATERIAL: ASTM A36 STEEL
 WEIGHT: 562.46 g
 SCALE: 1:2
 SHEET: 35
 REVISION: A



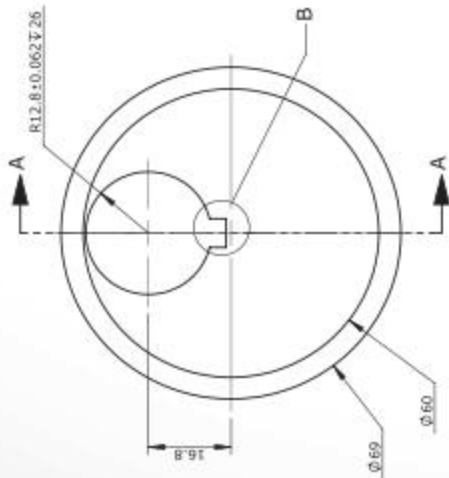
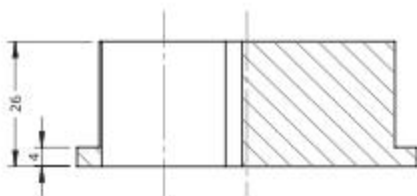
SECTION A-A
SCALE 1 : 2



QUANTITY OF KEYWAY: 01
SIZE OF KEYWAY: (8x3)mm.

		BANGLADESH RICE RESEARCH INSTITUTE SFMRa PROJECT, FMPHT DIVISION		DO NOT SCALE DRAWING FINISH: NONE FIRST ISSUED: 26-JUL-2024
RELEASED UNDER SPECIFICATIONS: STD. TOLERANCE DIMENSIONS ARE IN MILLIMETER ANGULARITY: ± 0.1, ANGULARITY: ± 0.07 * DIMS NOT APPLY TO HOLE SIZE		DRAWN: ENGR. SHAFIQ UDDIN KHAN CHECKED: ENGR. MD. HOSSAIN KHAN APPROVED: ENGR. MD. SADEK ULLAH	DATE: 12-AUG-2024 S.I.F.: 18-OCT-2024 W.P.H.: 24-NOV-2024	TITLE: FAST MOVING SPARE PARTS OF COMBINE HARVESTER DRG. NAME: BLOWER_PULLEY_(TYPE-C)
THIRD ANGLE PROJECTION				DWG NO: ZB MANUFACTURING METHOD: MACHINING MATERIAL: GRAY CAST IRON WEIGHT: 3282.77 g A4
QUANTITY OF KEYWAY: 01 SIZE OF KEYWAY: (8x3)mm.		SCALE: 1:2 SHEET: 37		REVISION: A

MANUFACTURING DECIMAL PROCESS: 02



DETAIL B
SCALE 2 : 1



BANGLADESH RICE RESEARCH INSTITUTE
SFMRA PROJECT, FMPPT DIVISION

DO NOT SCALE DRAWING
FINISH: NONE
FIRST ISSUED: 26-JUL-2024

DESIGNER	NAME	SIGNATURE	DATE
DESIGNER	MD. SAHABUDDIN JAHAN SHAN	S. J. S.	15-MAR-2024
CHECK	DR. HEL. PRADHANSOP HASANIAN	H. M. H.	19-OCT-2024
APPROV	DR. SAHABUDDIN JAHAN	S. S. I.	24-APR-2024

TITLE: FAST MOVING SPARE PARTS OF COMBINE HARVESTER

DRG. NAME: ECCENTRIC_WHEEL

DWG NO: 31

MANUFACTURING METHOD: MACHINING

MATERIAL: GRAY CAST IRON

WEIGHT: 456.45 g

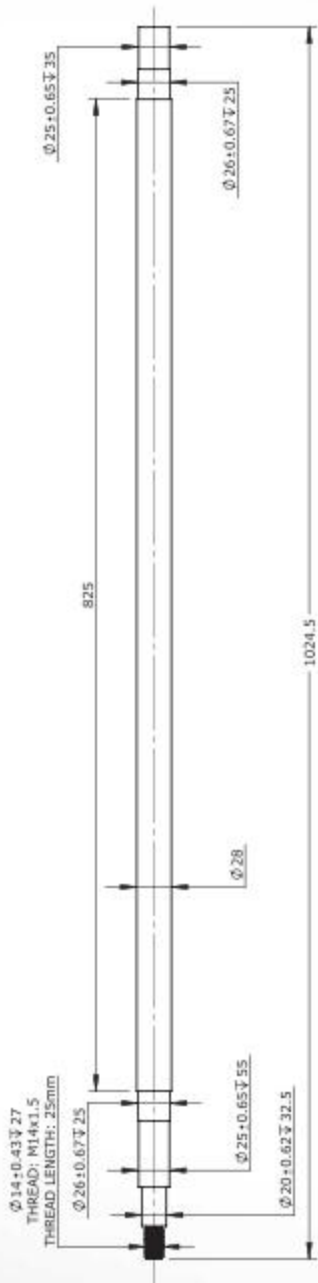
A4

SCALE: 1:1

SHEET: 41

REVISION: A

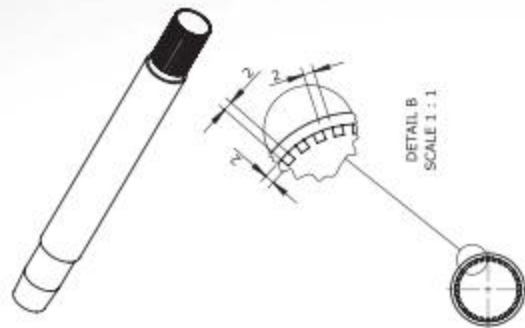
\\B:\DRAWING DESIGN\PROJECT\01



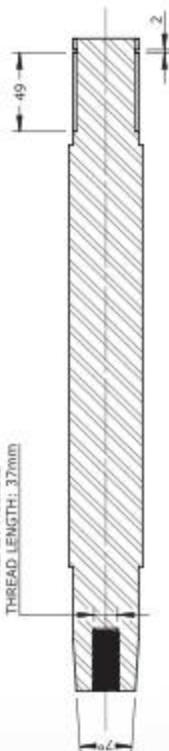
UNLESS OTHERWISE SPECIFIED: STD. TOLERANCE DIMENSIONS ARE IN MILLIMETERS HOLE/FITTING: H8/g7, ANGULAR: 45 DEGREE * DIMENSIONS APPLY TO HOLE SIZE		 BANGLADESH RICE RESEARCH INSTITUTE SFMRA PROJECT, FMPHT DIVISION		DO NOT SCALE DRAWING
FINISH: NONE		FIRST ISSUED: 26-JUL-2024		
TITLE: FAST MOVING SPARE PARTS OF COMBINE HARVESTER				
DRG. NAME: ECCENTRIC WHEEL_SHAFT				
DWG NO: 33				
MANUFACTURING METHOD: MACHINING				
MATERIAL: GRAY CAST IRON				
SCALE: 1:4				
WEIGHT: 4266.79 g				
REVISION: A				
TABLE 1 NAME: SAHARUJ AMAN KHAN DESIGN: DR. HAZ. PERSHAWAF AHMEDAN CHECK: DR. SAHABUDDIN HOQUE APPROV: DR. SAHABUDDIN HOQUE		DATE: 15-MAR-2024 BY: S.J.K. DATE: 19-OCT-2024 BY: S.B.I. DATE: 24-APR-2024		
THIRD ANGLE PROJECTION				

CV: B. YARING DESIGNER: PALLESST.01

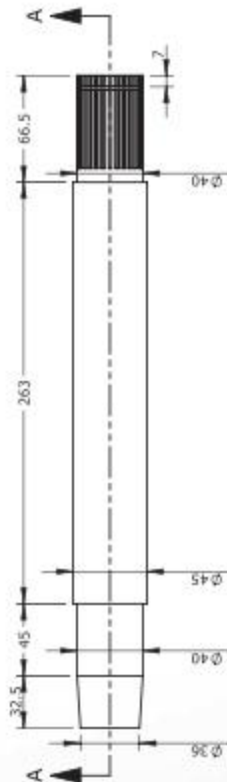
NUMBER OF TEETH: 30
 TEETH THICKNESS: 2mm (EACH)
 TEETH TO TEETH DISTANCE: 2mm (EACH)



Ø 14.5 ± 0.15V 39
 THREAD: M16x1.5
 THREAD LENGTH: 37mm

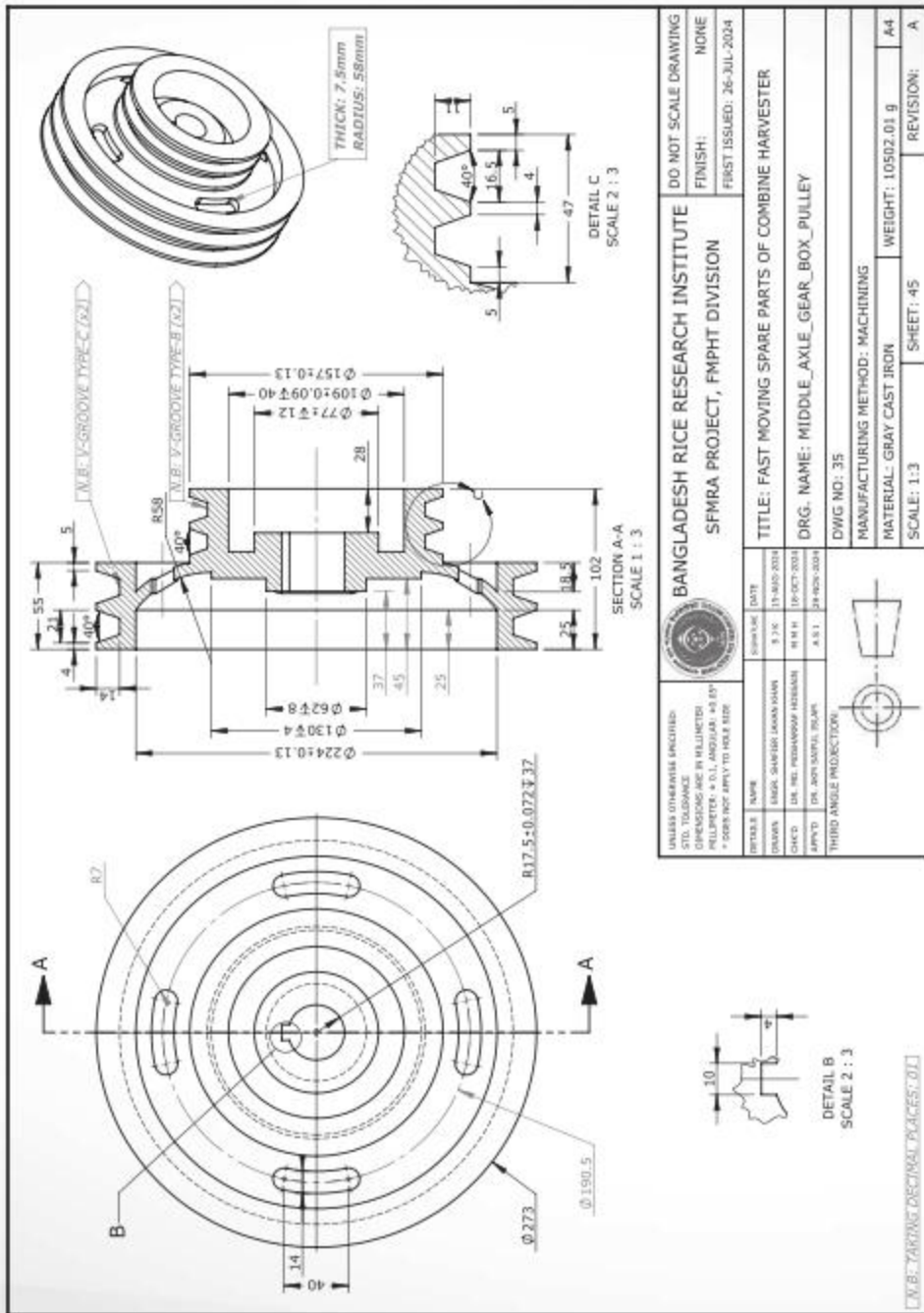


SECTION A-A
 SCALE 1 : 3

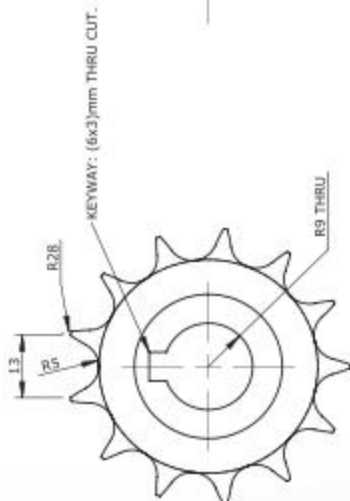
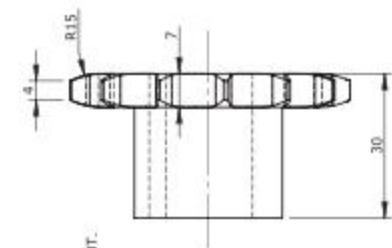
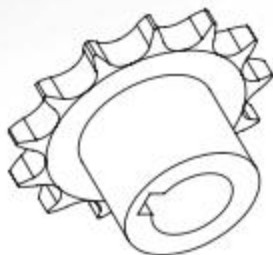


UNLESS OTHERWISE SPECIFIED: STD. TOLERANCE DIMENSIONS ARE IN MILLIMETERS HELLIPHER: ± 0.1, ANGULAR: ± 0.5° * DIMS NOT APPLY TO HOLE SIZE			DO NOT SCALE DRAWING	
			FINISH: NONE	
BANGLADESH RICE RESEARCH INSTITUTE SFMRA PROJECT, FMPPT DIVISION			FIRST ISSUED: 26-JUL-2024	
TITLE: FAST MOVING SPARE PARTS OF COMBINE HARVESTER				
DRG. NAME: LEFT_SHAFT				
DWG NO: 34				
MANUFACTURING METHOD: MACHINING				
MATERIAL: ASTM A36 STEEL			WEIGHT: 4560.87 g	
SCALE: 1:3			SHEET: 44	
THIRD ANGLE PROJECTION			REVISION: A	
ITEM NO. NAME 000001 SHAFT, SPARE PART, COMBINE HARVESTER CHKD DR. HIR. PRAKASHAN/ANWAR H. M. H. APPVD DR. SHAFIQUL HOQUE A.S.I.	SIGNATURE S. J.C. M.M.H.	DATE 15-MAR-2024 15-OCT-2024		

[[XREF: TARIKING DESIGNER: PALCES: 01]]



UNLESS OTHERWISE SPECIFIED: STD. TOLERANCE DIMENSIONS ARE IN MILLIMETERS HOLE LETTERS - H & L, ANGULAR - AS SHOWN * DIMS NOT APPLY TO HOLE SIZE				BANGLADESH RICE RESEARCH INSTITUTE SFMRA PROJECT, FMPHT DIVISION		DO NOT SCALE DRAWING FINISH: NONE FIRST ISSUED: 26-JUL-2024	
DESIGNER	NAME	DATE	DRG. NAME	TITLE: FAST MOVING SPARE PARTS OF COMBINE HARVESTER			
CHKD	DR. HEL. PERSHAWAP HASANIAN	15-07-2024	MIDDLE_AXLE_GEAR_BOX_PULLEY	DRG. NO: 35			
APPRD	DR. SHAKIBUL HAQUE	24-09-2024		DWG NO: 35			
THIRD ANGLE PROJECTION				MANUFACTURING METHOD: MACHINING			
				MATERIAL: GRAY CAST IRON			
				SCALE: 1:3			
				WEIGHT: 10502.01 g			
				SHEET: 45			
				REVISION: A			



SPROCKET INFORMATION'S	DETAILS
NUMBER OF TEETH	13
OUTSIDE DIAMETER	57.5mm
BOTTOM DIAMETER	45.5mm
HUB DIAMETER	30mm



BANGLADESH RICE RESEARCH INSTITUTE
SFMRA PROJECT, FMPPT DIVISION

DO NOT SCALE DRAWING
 FINISH: NONE
 FIRST ISSUED: 26-JUL-2024

DATE	BY	DATE
15-MAR-2024	S.J.K.	15-MAR-2024
15-OCT-2024	M.M.H.	15-OCT-2024
24-APR-2024	A.S.I.	24-APR-2024

TITLE: FAST MOVING SPARE PARTS OF COMBINE HARVESTER

DRG. NAME: DRIVING_SPROCKET

DWG NO: 38

MANUFACTURING METHOD: MACHINING

MATERIAL: GRAY CAST IRON

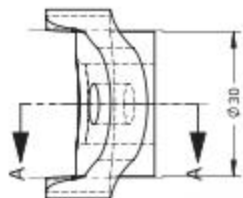
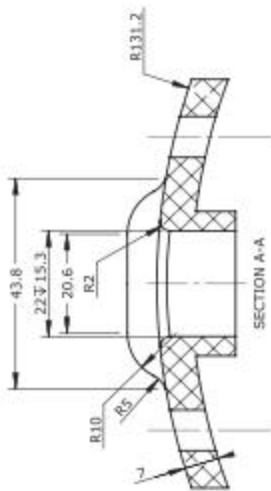
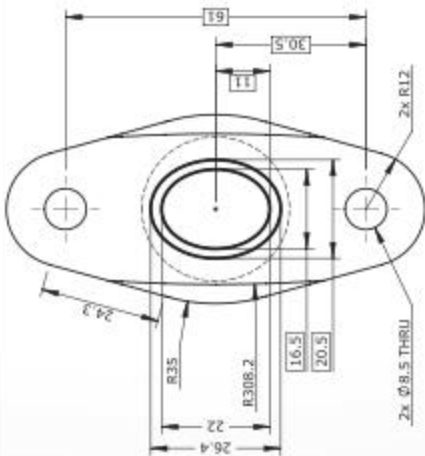
WEIGHT: 149.90 g

SCALE: 1:3

SHEET: 48

REVISION: A

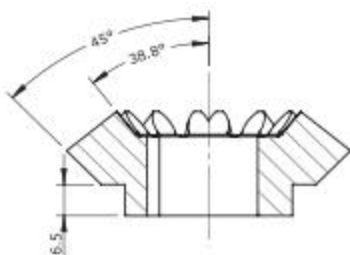




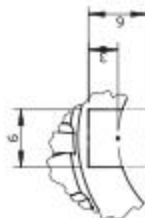
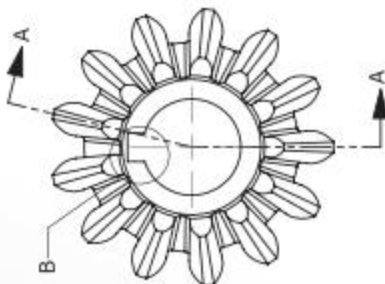
UNLESS OTHERWISE SPECIFIED: STD. TOLERANCE DIMENSIONS ARE IN MILLIMETERS HOLE PATTERN - ALL ANGULAR - ALL EDGES - DIMS NOT APPLY TO HOLE SIZE		BANGLADESH RICE RESEARCH INSTITUTE SFMR PROJECT, FMPPT DIVISION		DO NOT SCALE DRAWING
		FINISH: NONE FIRST ISSUED: 26-JUL-2024		NONE
TITLE: FAST MOVING SPARE PARTS OF COMBINE HARVESTER		DRG. NAME: TOOTH HOLDER		
DWG NO: 40		MANUFACTURING METHOD: MACHINING		
MATERIAL: PVC 0.007 PLASTICIZED		WEIGHT: 25.31 g		
SCALE: 1:1		SHEET: 50		
REVISION: A		A4		



GEAR INFORMATION'S	DETAILS
MODULE	4
ADDENDUM CIRCLE DIAMETER	57.7mm
PITCH CIRCLE DIAMETER	52mm
DEDENDUM CIRCLE DIAMETER	43.6mm
NUMBER OF TEETH	13
GEAR'S NO. OF TEETH	15
PRESSURE ANGLE	14.5°
FACE WIDTH	13mm
HUB DIAMETER	34mm
SHAFT DIAMETER	20mm
KEYWAY TYPE	SQUARE
NO. OF KEYWAY	1



SECTION A-A
SCALE 1 : 1



DETAIL B
SCALE 2 : 1



BANGLADESH RICE RESEARCH INSTITUTE
SFMRA PROJECT, FMPPT DIVISION

DO NOT SCALE DRAWING
FINISH: NONE
FIRST ISSUED: 26-JUL-2024

UNLESS OTHERWISE SPECIFIED:
STD. TOLERANCE
DIMENSIONS ARE IN MILLIMETERS
HOLE/PURIFIER: H & D.L. ANGULAR: H & D.Y.
* DIMENSIONS APPLY TO HOLE SIZE

ITEM NO.	NAME	SIGNATURE	DATE
01/001	DESIGNER: SAHARUJ JAMAN SHARIF	S. J.S.	16-AUG-2024
01/002	CHECKED: DR. HEL. PUGHANNOVA HASAN	H.M.H.	16-OCT-2024
01/003	APPROVED: DR. SHARIFUL ISLAM	S.S.I.	24-NOV-2024



THIRD ANGLE PROJECTION

TITLE: FAST MOVING SPARE PARTS OF COMBINE HARVESTER

DRG. NAME: BEVEL_GEAR_PINION

DWG NO: 41

MANUFACTURING METHOD: MACHINING

MATERIAL: GRAY CAST IRON

WEIGHT: 126.24 g

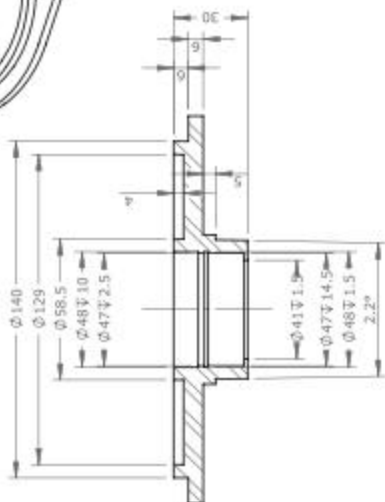
SCALE: 1:1

SHEET: 51

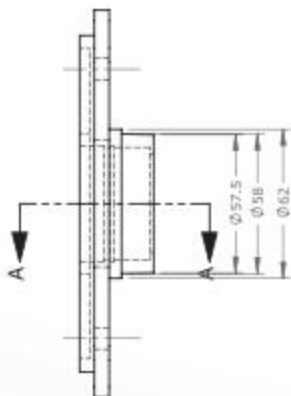
REVISION: A



DATE: 26-JUL-2024

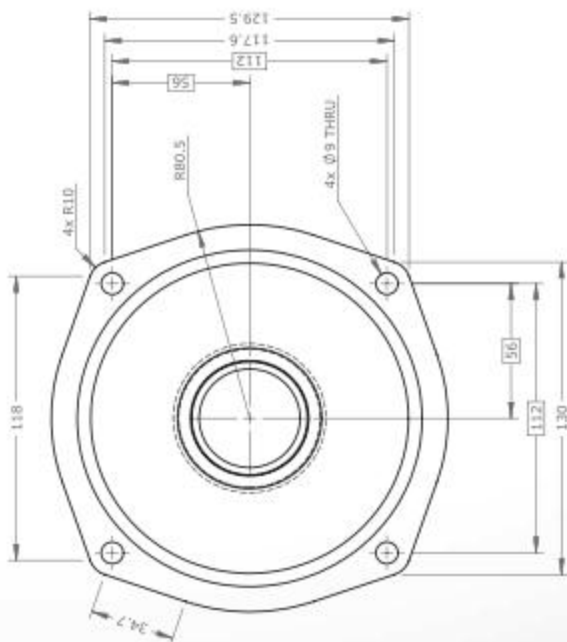
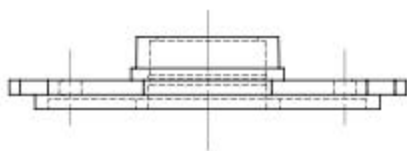
N.B: NOT A COMPLETE DRAWING.
N.B: ONLY FRONT VIEW DIMENSIONS HAS SHOWN HERE.



SECTION A-A

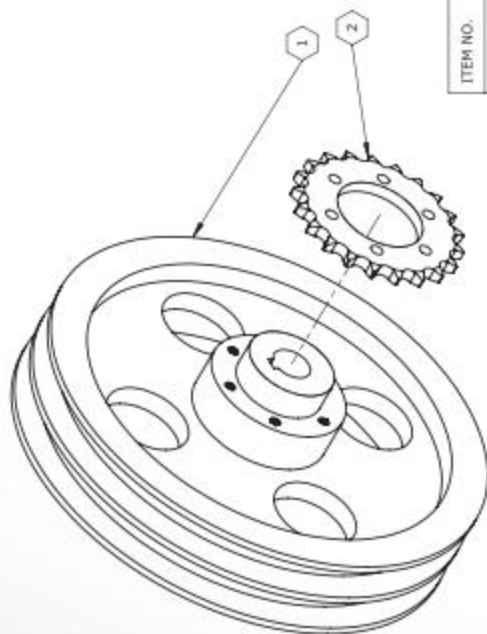


UNLESS OTHERWISE SPECIFIED: STD. TOLERANCE DIMENSIONS ARE IN MILLIMETERS HOLE PATTERN - H & D, ANGULAR - AS SHOWN * DIMENSIONS APPLY TO HOLE SIZE				DO NOT SCALE DRAWING
NAME: DESIGNER: CHECKED: APPROVED:		SIGNATURE: DATE:		FINISH: NONE
DRG. NO.: TITLE:		PROJECT: DIVISION:		FIRST ISSUED: 26-JUL-2024
THIRD ANGLE PROJECTION		DWG. NO.: 43		
		MANUFACTURING METHOD: MACHINING		
		MATERIAL: ASTM A36 STEEL		WEIGHT: 1362.37 g
		SCALE: 1:2		REVISION: A



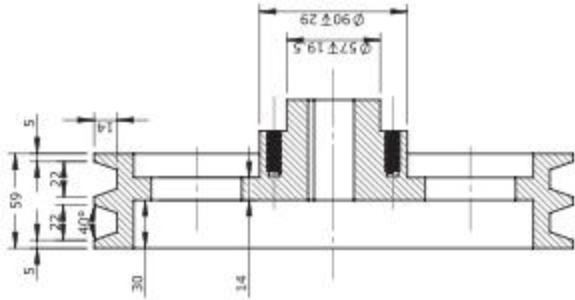
DWG NO: 43
SHEET NO: 54
SCALE: 1:2

N.B: NOT A COMPLETE DRAWING.
N.B: ONLY TOP & RIGHT VIEW DIMENSIONS HAS SHOWN HERE.

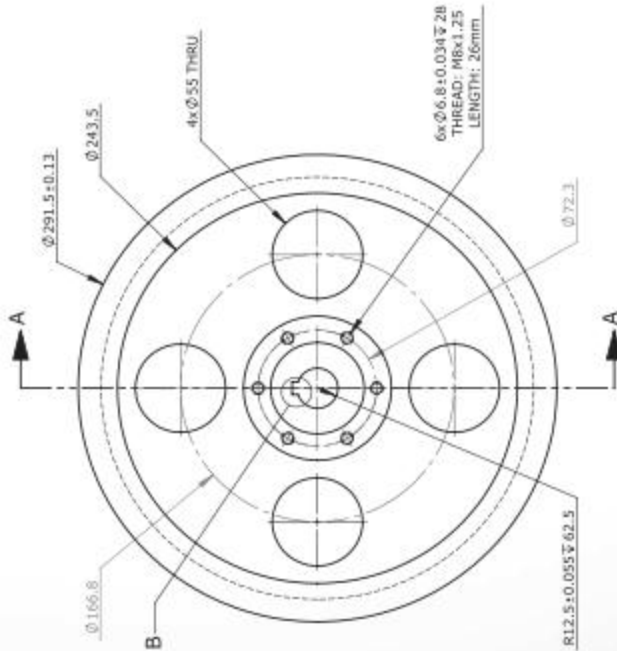


ITEM NO.	DESCRIPTION	PartNo	QTY.
1	OUTPUT_DRIVING_PULLEY_(TYPE-C)	44	1
2	SPROCKET_FOR_OUTPUT_DRIVING_PULLEY	45	1

DESIGN APPROVED BY:  DATE: 18/07/2024 DRAWN BY: MAMUNUR RAHMAN DATE: 18/07/2024 CHECKED BY: MD. REZAUL KARIM DATE: 19/07/2024 APPROVED BY: MD. MASUD HOSSAIN DATE: 19/07/2024 THIRD ANGLE PROJECTION: 		BANGLADESH RICE RESEARCH INSTITUTE SF/MRA PROJECT, FMPPT DIVISION	DO NOT SCALE DRAWING FINISH: NONE FIRST ISSUED: 26-JUL-2024
	TITLE: FAST MOVING SPARE PARTS OF COMBINE HARVESTER		
DRG. NAME: OUTPUT_DRIVING_PULLEY			DRAWING VIEW
MANUFACTURING METHOD: MACHINING			MATERIAL: CAST IRON
SCALE: 1:2			WEIGHT: 11036.49 g
SHEET: 55			REVISION: A



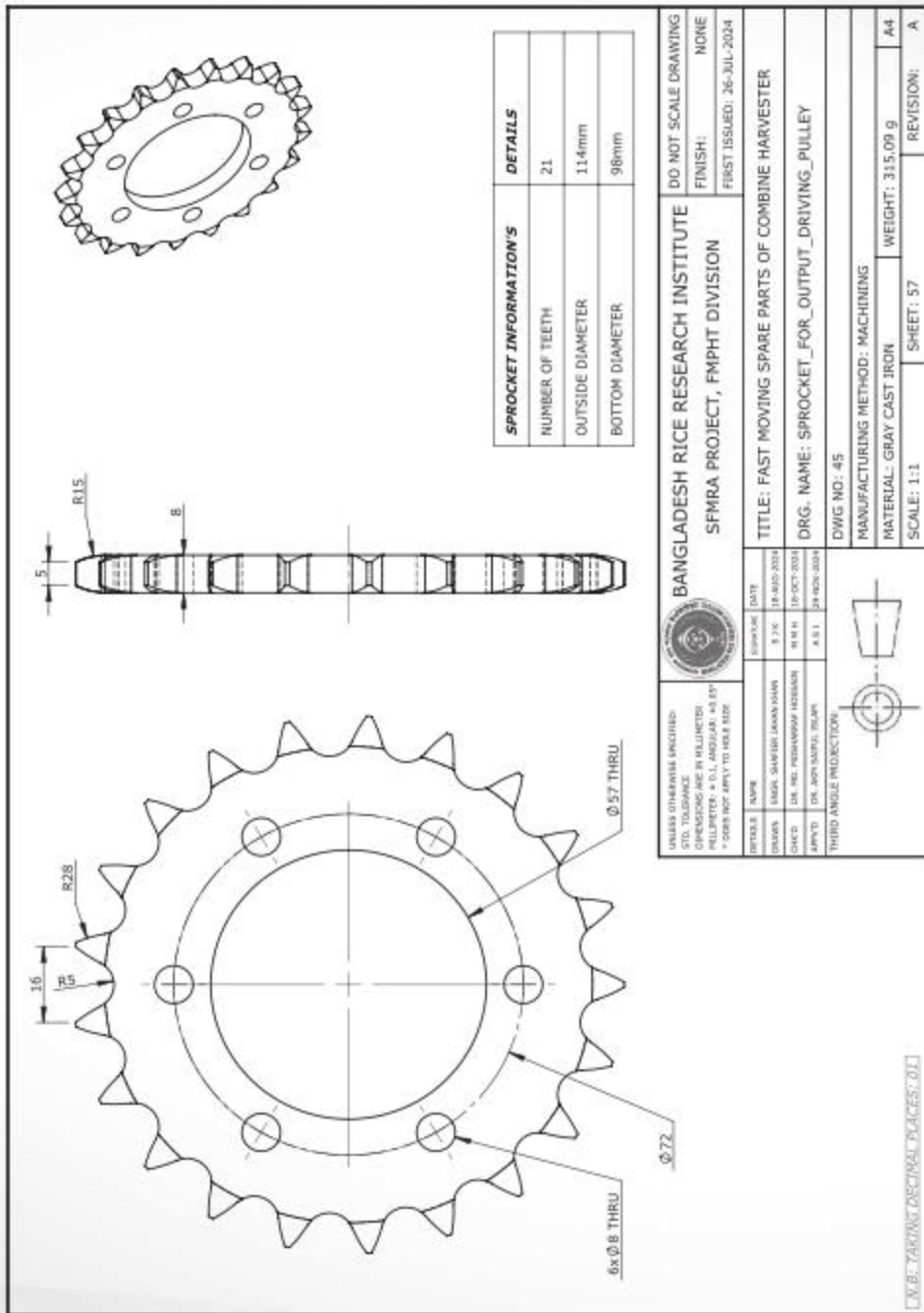
SECTION A-A
SCALE 1 : 3




DETAIL B
SCALE 2 : 3

		BANGLADESH RICE RESEARCH INSTITUTE SFMR PROJECT, FMPPT DIVISION		DO NOT SCALE DRAWING FINISH: NONE FIRST ISSUED: 26-JUL-2024	
DESIGNER: MAMUNUR RAHMAN DRAWN: MAMUNUR RAHMAN CHECK: DR. MD. REZAUL KARIM APPROVED: DR. AMINUL HAQUE		DATE: 18-JUL-2024 R.M.H. 10-OCT-2024 24-JUL-2024		TITLE: FAST MOVING SPARE PARTS OF COMBINE HARVESTER	
DIMENSIONS ARE IN MILLIMETERS DIMENSIONS ARE IN MILLIMETERS PULL TOLERANCE: ± 0.1, ANGULAR: ± 0.5° * DOES NOT APPLY TO HOLE SIZE		DRG. NAME: OUTPUT_DRIVING_PULLEY_(TYPE-C) DWG NO: 44		MANUFACTURING METHOD: MACHINING MATERIAL: GRAY CAST IRON WEIGHT: 10721.40 g SCALE: 1:3	
THIRD ANGLE PROJECTION				SHEET: 56 REVISION: A	

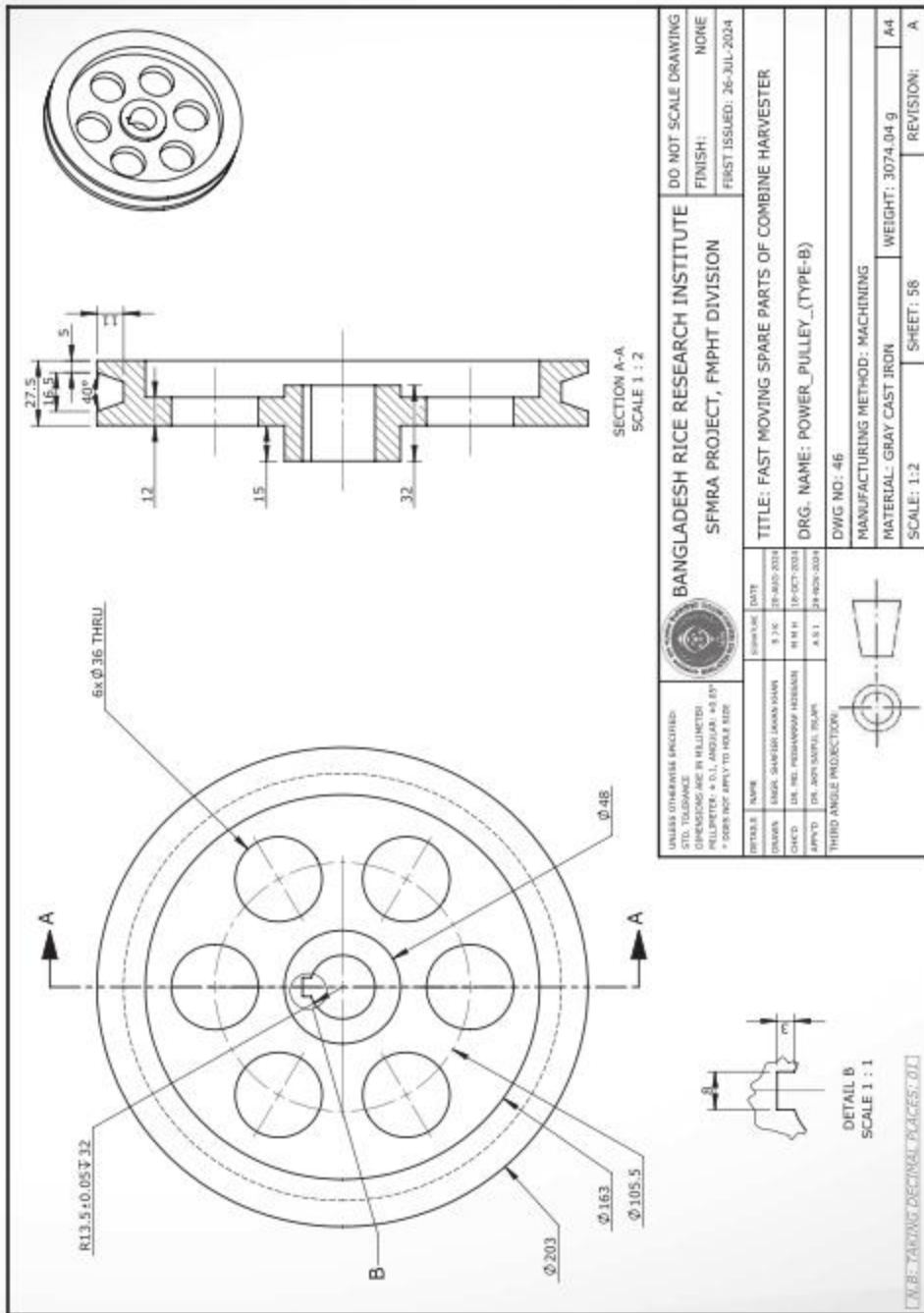
CONVERTING DECIMAL FRACCTIONS



SPROCKET INFORMATION'S	DETAILS
NUMBER OF TEETH	21
OUTSIDE DIAMETER	114mm
BOTTOM DIAMETER	98mm

UNLESS OTHERWISE SPECIFIED: STD. TOLERANCE DIMENSIONS ARE IN MILLIMETERS HELLIPSE: ± 0.1, ANGULAR: ± 0.5° * DIMENSIONS APPLY TO HOLE SIZE		BANGLADESH RICE RESEARCH INSTITUTE SFMRA PROJECT, FMPPT DIVISION		DO NOT SCALE DRAWING FINISH: NONE FIRST ISSUED: 26-JUL-2024
		TITLE: FAST MOVING SPARE PARTS OF COMBINE HARVESTER DRG. NAME: SPROCKET_FOR_OUTPUT_DRIVING_PULLEY DWG NO: 45		
DESIGNED: MURAD SAHABUDDIN CHECKED: DR. HAZI RAHMAN APPROVED: DR. SAHABUDDIN	DATE: 18-AUG-2024 BY: M.M.H. DATE: 18-AUG-2024	MANUFACTURING METHOD: MACHINING MATERIAL: GRAY CAST IRON WEIGHT: 315.09 g SCALE: 1:1		
THIRD ANGLE PROJECTION		SHEET: 57 REVISION: A		

\\B:\DRAWING\DISC\MRL\PROJECT\01

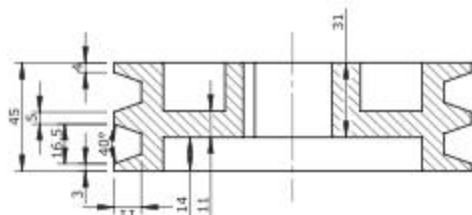


BANGLADESH RICE RESEARCH INSTITUTE SFMR PROJECT, FMPDT DIVISION		DO NOT SCALE DRAWING FINISH: NONE FIRST ISSUED: 26-JUL-2024																																																																																																																																																																																																																																																																																																																																																																																																																																																																																									
TITLE: FAST MOVING SPARE PARTS OF COMBINE HARVESTER																																																																																																																																																																																																																																																																																																																																																																																																																																																																																											
DRG. NAME: POWER_PULLEY_(TYPE-B)																																																																																																																																																																																																																																																																																																																																																																																																																																																																																											
DWG NO: 46																																																																																																																																																																																																																																																																																																																																																																																																																																																																																											
MANUFACTURING METHOD: MACHINING																																																																																																																																																																																																																																																																																																																																																																																																																																																																																											
MATERIAL: GRAY CAST IRON																																																																																																																																																																																																																																																																																																																																																																																																																																																																																											
SCALE: 1:2		WEIGHT: 3074.04 g																																																																																																																																																																																																																																																																																																																																																																																																																																																																																									
SHEET: 58		REVISION: A																																																																																																																																																																																																																																																																																																																																																																																																																																																																																									
UNLESS OTHERWISE SPECIFIED: DIMENSIONS ARE IN MILLIMETERS HOLLOW DIMENSIONS ARE IN ANGULAR HOLE DIM. DIMENSIONS APPLY TO HOLE SIZE	<table border="1"> <thead> <tr> <th>REVISED</th> <th>DATE</th> </tr> </thead> <tbody> <tr> <td>1</td> <td>26-JUL-2024</td> </tr> <tr> <td>2</td> <td>26-JUL-2024</td> </tr> <tr> <td>3</td> <td>26-JUL-2024</td> </tr> <tr> <td>4</td> <td>26-JUL-2024</td> </tr> <tr> <td>5</td> <td>26-JUL-2024</td> </tr> <tr> <td>6</td> <td>26-JUL-2024</td> </tr> <tr> <td>7</td> <td>26-JUL-2024</td> </tr> <tr> <td>8</td> <td>26-JUL-2024</td> </tr> <tr> <td>9</td> <td>26-JUL-2024</td> </tr> <tr> <td>10</td> <td>26-JUL-2024</td> </tr> <tr> <td>11</td> <td>26-JUL-2024</td> </tr> <tr> <td>12</td> <td>26-JUL-2024</td> </tr> <tr> <td>13</td> <td>26-JUL-2024</td> </tr> <tr> <td>14</td> <td>26-JUL-2024</td> </tr> <tr> <td>15</td> <td>26-JUL-2024</td> </tr> <tr> <td>16</td> <td>26-JUL-2024</td> </tr> <tr> <td>17</td> <td>26-JUL-2024</td> </tr> <tr> <td>18</td> <td>26-JUL-2024</td> </tr> <tr> <td>19</td> <td>26-JUL-2024</td> </tr> <tr> <td>20</td> <td>26-JUL-2024</td> </tr> <tr> <td>21</td> <td>26-JUL-2024</td> </tr> <tr> <td>22</td> <td>26-JUL-2024</td> </tr> <tr> <td>23</td> <td>26-JUL-2024</td> </tr> <tr> <td>24</td> <td>26-JUL-2024</td> </tr> <tr> <td>25</td> <td>26-JUL-2024</td> </tr> <tr> <td>26</td> <td>26-JUL-2024</td> </tr> <tr> <td>27</td> <td>26-JUL-2024</td> </tr> <tr> <td>28</td> <td>26-JUL-2024</td> </tr> <tr> <td>29</td> <td>26-JUL-2024</td> </tr> <tr> <td>30</td> <td>26-JUL-2024</td> </tr> <tr> <td>31</td> <td>26-JUL-2024</td> </tr> <tr> <td>32</td> <td>26-JUL-2024</td> </tr> <tr> <td>33</td> <td>26-JUL-2024</td> </tr> <tr> <td>34</td> <td>26-JUL-2024</td> </tr> <tr> <td>35</td> <td>26-JUL-2024</td> </tr> <tr> <td>36</td> <td>26-JUL-2024</td> </tr> <tr> <td>37</td> <td>26-JUL-2024</td> </tr> <tr> <td>38</td> <td>26-JUL-2024</td> </tr> <tr> <td>39</td> <td>26-JUL-2024</td> </tr> <tr> <td>40</td> <td>26-JUL-2024</td> </tr> <tr> <td>41</td> <td>26-JUL-2024</td> </tr> <tr> <td>42</td> <td>26-JUL-2024</td> </tr> <tr> <td>43</td> <td>26-JUL-2024</td> </tr> <tr> <td>44</td> <td>26-JUL-2024</td> </tr> <tr> <td>45</td> <td>26-JUL-2024</td> </tr> <tr> <td>46</td> <td>26-JUL-2024</td> </tr> <tr> <td>47</td> <td>26-JUL-2024</td> </tr> <tr> <td>48</td> <td>26-JUL-2024</td> </tr> <tr> <td>49</td> <td>26-JUL-2024</td> </tr> <tr> <td>50</td> <td>26-JUL-2024</td> </tr> <tr> <td>51</td> <td>26-JUL-2024</td> </tr> <tr> <td>52</td> <td>26-JUL-2024</td> </tr> <tr> <td>53</td> <td>26-JUL-2024</td> </tr> <tr> <td>54</td> <td>26-JUL-2024</td> </tr> <tr> <td>55</td> <td>26-JUL-2024</td> </tr> <tr> <td>56</td> <td>26-JUL-2024</td> </tr> <tr> <td>57</td> <td>26-JUL-2024</td> </tr> <tr> <td>58</td> <td>26-JUL-2024</td> </tr> </tbody> </table>	REVISED	DATE	1	26-JUL-2024	2	26-JUL-2024	3	26-JUL-2024	4	26-JUL-2024	5	26-JUL-2024	6	26-JUL-2024	7	26-JUL-2024	8	26-JUL-2024	9	26-JUL-2024	10	26-JUL-2024	11	26-JUL-2024	12	26-JUL-2024	13	26-JUL-2024	14	26-JUL-2024	15	26-JUL-2024	16	26-JUL-2024	17	26-JUL-2024	18	26-JUL-2024	19	26-JUL-2024	20	26-JUL-2024	21	26-JUL-2024	22	26-JUL-2024	23	26-JUL-2024	24	26-JUL-2024	25	26-JUL-2024	26	26-JUL-2024	27	26-JUL-2024	28	26-JUL-2024	29	26-JUL-2024	30	26-JUL-2024	31	26-JUL-2024	32	26-JUL-2024	33	26-JUL-2024	34	26-JUL-2024	35	26-JUL-2024	36	26-JUL-2024	37	26-JUL-2024	38	26-JUL-2024	39	26-JUL-2024	40	26-JUL-2024	41	26-JUL-2024	42	26-JUL-2024	43	26-JUL-2024	44	26-JUL-2024	45	26-JUL-2024	46	26-JUL-2024	47	26-JUL-2024	48	26-JUL-2024	49	26-JUL-2024	50	26-JUL-2024	51	26-JUL-2024	52	26-JUL-2024	53	26-JUL-2024	54	26-JUL-2024	55	26-JUL-2024	56	26-JUL-2024	57	26-JUL-2024	58	26-JUL-2024	<table border="1"> <thead> <tr> <th>NO.</th> <th>NAME</th> <th>DATE</th> </tr> </thead> <tbody> <tr> <td>1</td> <td>DR. M. SAHABUDDIN</td> <td>26-JUL-2024</td> </tr> <tr> <td>2</td> <td>DR. M. SAHABUDDIN</td> <td>26-JUL-2024</td> </tr> <tr> <td>3</td> <td>DR. M. SAHABUDDIN</td> <td>26-JUL-2024</td> </tr> <tr> <td>4</td> <td>DR. M. SAHABUDDIN</td> <td>26-JUL-2024</td> </tr> <tr> <td>5</td> <td>DR. M. SAHABUDDIN</td> <td>26-JUL-2024</td> </tr> <tr> <td>6</td> <td>DR. M. SAHABUDDIN</td> <td>26-JUL-2024</td> </tr> <tr> <td>7</td> <td>DR. M. SAHABUDDIN</td> <td>26-JUL-2024</td> </tr> <tr> <td>8</td> <td>DR. M. SAHABUDDIN</td> <td>26-JUL-2024</td> </tr> <tr> <td>9</td> <td>DR. M. SAHABUDDIN</td> <td>26-JUL-2024</td> </tr> <tr> <td>10</td> <td>DR. M. SAHABUDDIN</td> <td>26-JUL-2024</td> </tr> <tr> <td>11</td> <td>DR. M. SAHABUDDIN</td> <td>26-JUL-2024</td> </tr> <tr> <td>12</td> <td>DR. M. SAHABUDDIN</td> <td>26-JUL-2024</td> </tr> <tr> <td>13</td> <td>DR. M. SAHABUDDIN</td> <td>26-JUL-2024</td> </tr> <tr> <td>14</td> <td>DR. M. SAHABUDDIN</td> <td>26-JUL-2024</td> </tr> <tr> <td>15</td> <td>DR. M. SAHABUDDIN</td> <td>26-JUL-2024</td> </tr> <tr> <td>16</td> <td>DR. M. SAHABUDDIN</td> <td>26-JUL-2024</td> </tr> <tr> <td>17</td> <td>DR. M. SAHABUDDIN</td> <td>26-JUL-2024</td> </tr> <tr> <td>18</td> <td>DR. M. SAHABUDDIN</td> <td>26-JUL-2024</td> </tr> <tr> <td>19</td> <td>DR. M. SAHABUDDIN</td> <td>26-JUL-2024</td> </tr> <tr> <td>20</td> <td>DR. M. SAHABUDDIN</td> <td>26-JUL-2024</td> </tr> <tr> <td>21</td> <td>DR. M. SAHABUDDIN</td> <td>26-JUL-2024</td> </tr> <tr> <td>22</td> <td>DR. M. SAHABUDDIN</td> <td>26-JUL-2024</td> </tr> <tr> <td>23</td> <td>DR. M. SAHABUDDIN</td> <td>26-JUL-2024</td> </tr> <tr> <td>24</td> <td>DR. M. SAHABUDDIN</td> <td>26-JUL-2024</td> </tr> <tr> <td>25</td> <td>DR. M. SAHABUDDIN</td> <td>26-JUL-2024</td> </tr> <tr> <td>26</td> <td>DR. M. SAHABUDDIN</td> <td>26-JUL-2024</td> </tr> <tr> <td>27</td> <td>DR. M. SAHABUDDIN</td> <td>26-JUL-2024</td> </tr> <tr> <td>28</td> <td>DR. M. SAHABUDDIN</td> <td>26-JUL-2024</td> </tr> <tr> <td>29</td> <td>DR. M. SAHABUDDIN</td> <td>26-JUL-2024</td> </tr> <tr> <td>30</td> <td>DR. M. SAHABUDDIN</td> <td>26-JUL-2024</td> </tr> <tr> <td>31</td> <td>DR. M. SAHABUDDIN</td> <td>26-JUL-2024</td> </tr> <tr> <td>32</td> <td>DR. M. SAHABUDDIN</td> <td>26-JUL-2024</td> </tr> <tr> <td>33</td> <td>DR. M. SAHABUDDIN</td> <td>26-JUL-2024</td> </tr> <tr> <td>34</td> <td>DR. M. SAHABUDDIN</td> <td>26-JUL-2024</td> </tr> <tr> <td>35</td> <td>DR. M. SAHABUDDIN</td> <td>26-JUL-2024</td> </tr> <tr> <td>36</td> <td>DR. M. SAHABUDDIN</td> <td>26-JUL-2024</td> </tr> <tr> <td>37</td> <td>DR. M. SAHABUDDIN</td> <td>26-JUL-2024</td> </tr> <tr> <td>38</td> <td>DR. M. SAHABUDDIN</td> <td>26-JUL-2024</td> </tr> <tr> <td>39</td> <td>DR. M. SAHABUDDIN</td> <td>26-JUL-2024</td> </tr> <tr> <td>40</td> <td>DR. M. SAHABUDDIN</td> <td>26-JUL-2024</td> </tr> <tr> <td>41</td> <td>DR. M. SAHABUDDIN</td> <td>26-JUL-2024</td> </tr> <tr> <td>42</td> <td>DR. M. SAHABUDDIN</td> <td>26-JUL-2024</td> </tr> <tr> <td>43</td> <td>DR. M. SAHABUDDIN</td> <td>26-JUL-2024</td> </tr> <tr> <td>44</td> <td>DR. M. SAHABUDDIN</td> <td>26-JUL-2024</td> </tr> <tr> <td>45</td> <td>DR. M. SAHABUDDIN</td> <td>26-JUL-2024</td> </tr> <tr> <td>46</td> <td>DR. M. SAHABUDDIN</td> <td>26-JUL-2024</td> </tr> <tr> <td>47</td> <td>DR. M. SAHABUDDIN</td> <td>26-JUL-2024</td> </tr> <tr> <td>48</td> <td>DR. M. SAHABUDDIN</td> <td>26-JUL-2024</td> </tr> <tr> <td>49</td> <td>DR. M. SAHABUDDIN</td> <td>26-JUL-2024</td> </tr> <tr> <td>50</td> <td>DR. M. SAHABUDDIN</td> <td>26-JUL-2024</td> </tr> <tr> <td>51</td> <td>DR. M. SAHABUDDIN</td> <td>26-JUL-2024</td> </tr> <tr> <td>52</td> <td>DR. M. SAHABUDDIN</td> <td>26-JUL-2024</td> </tr> <tr> <td>53</td> <td>DR. M. SAHABUDDIN</td> <td>26-JUL-2024</td> </tr> <tr> <td>54</td> <td>DR. M. SAHABUDDIN</td> <td>26-JUL-2024</td> </tr> <tr> <td>55</td> <td>DR. M. SAHABUDDIN</td> <td>26-JUL-2024</td> </tr> <tr> <td>56</td> <td>DR. M. SAHABUDDIN</td> <td>26-JUL-2024</td> </tr> <tr> <td>57</td> <td>DR. M. SAHABUDDIN</td> <td>26-JUL-2024</td> </tr> <tr> <td>58</td> <td>DR. M. SAHABUDDIN</td> <td>26-JUL-2024</td> </tr> </tbody> </table>	NO.	NAME	DATE	1	DR. M. SAHABUDDIN	26-JUL-2024	2	DR. M. SAHABUDDIN	26-JUL-2024	3	DR. M. SAHABUDDIN	26-JUL-2024	4	DR. M. SAHABUDDIN	26-JUL-2024	5	DR. M. SAHABUDDIN	26-JUL-2024	6	DR. M. SAHABUDDIN	26-JUL-2024	7	DR. M. SAHABUDDIN	26-JUL-2024	8	DR. M. SAHABUDDIN	26-JUL-2024	9	DR. M. SAHABUDDIN	26-JUL-2024	10	DR. M. SAHABUDDIN	26-JUL-2024	11	DR. M. SAHABUDDIN	26-JUL-2024	12	DR. M. SAHABUDDIN	26-JUL-2024	13	DR. M. SAHABUDDIN	26-JUL-2024	14	DR. M. SAHABUDDIN	26-JUL-2024	15	DR. M. SAHABUDDIN	26-JUL-2024	16	DR. M. SAHABUDDIN	26-JUL-2024	17	DR. M. SAHABUDDIN	26-JUL-2024	18	DR. M. SAHABUDDIN	26-JUL-2024	19	DR. M. SAHABUDDIN	26-JUL-2024	20	DR. M. SAHABUDDIN	26-JUL-2024	21	DR. M. SAHABUDDIN	26-JUL-2024	22	DR. M. SAHABUDDIN	26-JUL-2024	23	DR. M. SAHABUDDIN	26-JUL-2024	24	DR. M. SAHABUDDIN	26-JUL-2024	25	DR. M. SAHABUDDIN	26-JUL-2024	26	DR. M. SAHABUDDIN	26-JUL-2024	27	DR. M. SAHABUDDIN	26-JUL-2024	28	DR. M. SAHABUDDIN	26-JUL-2024	29	DR. M. SAHABUDDIN	26-JUL-2024	30	DR. M. SAHABUDDIN	26-JUL-2024	31	DR. M. SAHABUDDIN	26-JUL-2024	32	DR. M. SAHABUDDIN	26-JUL-2024	33	DR. M. SAHABUDDIN	26-JUL-2024	34	DR. M. SAHABUDDIN	26-JUL-2024	35	DR. M. SAHABUDDIN	26-JUL-2024	36	DR. M. SAHABUDDIN	26-JUL-2024	37	DR. M. SAHABUDDIN	26-JUL-2024	38	DR. M. SAHABUDDIN	26-JUL-2024	39	DR. M. SAHABUDDIN	26-JUL-2024	40	DR. M. SAHABUDDIN	26-JUL-2024	41	DR. M. SAHABUDDIN	26-JUL-2024	42	DR. M. SAHABUDDIN	26-JUL-2024	43	DR. M. SAHABUDDIN	26-JUL-2024	44	DR. M. SAHABUDDIN	26-JUL-2024	45	DR. M. SAHABUDDIN	26-JUL-2024	46	DR. M. SAHABUDDIN	26-JUL-2024	47	DR. M. SAHABUDDIN	26-JUL-2024	48	DR. M. SAHABUDDIN	26-JUL-2024	49	DR. M. SAHABUDDIN	26-JUL-2024	50	DR. M. SAHABUDDIN	26-JUL-2024	51	DR. M. SAHABUDDIN	26-JUL-2024	52	DR. M. SAHABUDDIN	26-JUL-2024	53	DR. M. SAHABUDDIN	26-JUL-2024	54	DR. M. SAHABUDDIN	26-JUL-2024	55	DR. M. SAHABUDDIN	26-JUL-2024	56	DR. M. SAHABUDDIN	26-JUL-2024	57	DR. M. SAHABUDDIN	26-JUL-2024	58	DR. M. SAHABUDDIN	26-JUL-2024	<table border="1"> <thead> <tr> <th>NO.</th> <th>NAME</th> <th>DATE</th> </tr> </thead> <tbody> <tr> <td>1</td> <td>DR. M. SAHABUDDIN</td> <td>26-JUL-2024</td> </tr> <tr> <td>2</td> <td>DR. M. SAHABUDDIN</td> <td>26-JUL-2024</td> </tr> <tr> <td>3</td> <td>DR. M. SAHABUDDIN</td> <td>26-JUL-2024</td> </tr> <tr> <td>4</td> <td>DR. M. SAHABUDDIN</td> <td>26-JUL-2024</td> </tr> <tr> <td>5</td> <td>DR. M. SAHABUDDIN</td> <td>26-JUL-2024</td> </tr> <tr> <td>6</td> <td>DR. M. SAHABUDDIN</td> <td>26-JUL-2024</td> </tr> <tr> <td>7</td> <td>DR. M. SAHABUDDIN</td> <td>26-JUL-2024</td> </tr> <tr> <td>8</td> <td>DR. M. SAHABUDDIN</td> <td>26-JUL-2024</td> </tr> <tr> <td>9</td> <td>DR. M. SAHABUDDIN</td> <td>26-JUL-2024</td> </tr> <tr> <td>10</td> <td>DR. M. SAHABUDDIN</td> <td>26-JUL-2024</td> </tr> <tr> <td>11</td> <td>DR. M. SAHABUDDIN</td> <td>26-JUL-2024</td> </tr> <tr> <td>12</td> <td>DR. M. SAHABUDDIN</td> <td>26-JUL-2024</td> </tr> <tr> <td>13</td> <td>DR. M. SAHABUDDIN</td> <td>26-JUL-2024</td> </tr> <tr> <td>14</td> <td>DR. M. SAHABUDDIN</td> <td>26-JUL-2024</td> </tr> <tr> <td>15</td> <td>DR. M. SAHABUDDIN</td> <td>26-JUL-2024</td> </tr> <tr> <td>16</td> <td>DR. M. SAHABUDDIN</td> <td>26-JUL-2024</td> </tr> <tr> <td>17</td> <td>DR. M. SAHABUDDIN</td> <td>26-JUL-2024</td> </tr> <tr> <td>18</td> <td>DR. M. SAHABUDDIN</td> <td>26-JUL-2024</td> </tr> <tr> <td>19</td> <td>DR. M. SAHABUDDIN</td> <td>26-JUL-2024</td> </tr> <tr> <td>20</td> <td>DR. M. SAHABUDDIN</td> <td>26-JUL-2024</td> </tr> <tr> <td>21</td> <td>DR. M. SAHABUDDIN</td> <td>26-JUL-2024</td> </tr> <tr> <td>22</td> <td>DR. M. SAHABUDDIN</td> <td>26-JUL-2024</td> </tr> <tr> <td>23</td> <td>DR. M. SAHABUDDIN</td> <td>26-JUL-2024</td> </tr> <tr> <td>24</td> <td>DR. M. SAHABUDDIN</td> <td>26-JUL-2024</td> </tr> <tr> <td>25</td> <td>DR. M. SAHABUDDIN</td> <td>26-JUL-2024</td> </tr> <tr> <td>26</td> <td>DR. M. SAHABUDDIN</td> <td>26-JUL-2024</td> </tr> <tr> <td>27</td> <td>DR. M. SAHABUDDIN</td> <td>26-JUL-2024</td> </tr> <tr> <td>28</td> <td>DR. M. SAHABUDDIN</td> <td>26-JUL-2024</td> </tr> <tr> <td>29</td> <td>DR. M. SAHABUDDIN</td> <td>26-JUL-2024</td> </tr> <tr> <td>30</td> <td>DR. M. SAHABUDDIN</td> <td>26-JUL-2024</td> </tr> <tr> <td>31</td> <td>DR. M. SAHABUDDIN</td> <td>26-JUL-2024</td> </tr> <tr> <td>32</td> <td>DR. M. SAHABUDDIN</td> <td>26-JUL-2024</td> </tr> <tr> <td>33</td> <td>DR. M. SAHABUDDIN</td> <td>26-JUL-2024</td> </tr> <tr> <td>34</td> <td>DR. M. SAHABUDDIN</td> <td>26-JUL-2024</td> </tr> <tr> <td>35</td> <td>DR. M. SAHABUDDIN</td> <td>26-JUL-2024</td> </tr> <tr> <td>36</td> <td>DR. M. SAHABUDDIN</td> <td>26-JUL-2024</td> </tr> <tr> <td>37</td> <td>DR. M. SAHABUDDIN</td> <td>26-JUL-2024</td> </tr> <tr> <td>38</td> <td>DR. M. SAHABUDDIN</td> <td>26-JUL-2024</td> </tr> <tr> <td>39</td> <td>DR. M. SAHABUDDIN</td> <td>26-JUL-2024</td> </tr> <tr> <td>40</td> <td>DR. M. SAHABUDDIN</td> <td>26-JUL-2024</td> </tr> <tr> <td>41</td> <td>DR. M. SAHABUDDIN</td> <td>26-JUL-2024</td> </tr> <tr> <td>42</td> <td>DR. M. SAHABUDDIN</td> <td>26-JUL-2024</td> </tr> <tr> <td>43</td> <td>DR. M. SAHABUDDIN</td> <td>26-JUL-2024</td> </tr> <tr> <td>44</td> <td>DR. M. SAHABUDDIN</td> <td>26-JUL-2024</td> </tr> <tr> <td>45</td> <td>DR. M. SAHABUDDIN</td> <td>26-JUL-2024</td> </tr> <tr> <td>46</td> <td>DR. M. SAHABUDDIN</td> <td>26-JUL-2024</td> </tr> <tr> <td>47</td> <td>DR. M. SAHABUDDIN</td> <td>26-JUL-2024</td> </tr> <tr> <td>48</td> <td>DR. M. SAHABUDDIN</td> <td>26-JUL-2024</td> </tr> <tr> <td>49</td> <td>DR. M. SAHABUDDIN</td> <td>26-JUL-2024</td> </tr> <tr> <td>50</td> <td>DR. M. SAHABUDDIN</td> <td>26-JUL-2024</td> </tr> <tr> <td>51</td> <td>DR. M. SAHABUDDIN</td> <td>26-JUL-2024</td> </tr> <tr> <td>52</td> <td>DR. M. SAHABUDDIN</td> <td>26-JUL-2024</td> </tr> <tr> <td>53</td> <td>DR. M. SAHABUDDIN</td> <td>26-JUL-2024</td> </tr> <tr> <td>54</td> <td>DR. M. SAHABUDDIN</td> <td>26-JUL-2024</td> </tr> <tr> <td>55</td> <td>DR. M. SAHABUDDIN</td> <td>26-JUL-2024</td> </tr> <tr> <td>56</td> <td>DR. M. SAHABUDDIN</td> <td>26-JUL-2024</td> </tr> <tr> <td>57</td> <td>DR. M. SAHABUDDIN</td> <td>26-JUL-2024</td> </tr> <tr> <td>58</td> <td>DR. M. SAHABUDDIN</td> <td>26-JUL-2024</td> </tr> </tbody> </table>	NO.	NAME	DATE	1	DR. M. SAHABUDDIN	26-JUL-2024	2	DR. M. SAHABUDDIN	26-JUL-2024	3	DR. M. SAHABUDDIN	26-JUL-2024	4	DR. M. SAHABUDDIN	26-JUL-2024	5	DR. M. SAHABUDDIN	26-JUL-2024	6	DR. M. SAHABUDDIN	26-JUL-2024	7	DR. M. SAHABUDDIN	26-JUL-2024	8	DR. M. SAHABUDDIN	26-JUL-2024	9	DR. M. SAHABUDDIN	26-JUL-2024	10	DR. M. SAHABUDDIN	26-JUL-2024	11	DR. M. SAHABUDDIN	26-JUL-2024	12	DR. M. SAHABUDDIN	26-JUL-2024	13	DR. M. SAHABUDDIN	26-JUL-2024	14	DR. M. SAHABUDDIN	26-JUL-2024	15	DR. M. SAHABUDDIN	26-JUL-2024	16	DR. M. SAHABUDDIN	26-JUL-2024	17	DR. M. SAHABUDDIN	26-JUL-2024	18	DR. M. SAHABUDDIN	26-JUL-2024	19	DR. M. SAHABUDDIN	26-JUL-2024	20	DR. M. SAHABUDDIN	26-JUL-2024	21	DR. M. SAHABUDDIN	26-JUL-2024	22	DR. M. SAHABUDDIN	26-JUL-2024	23	DR. M. SAHABUDDIN	26-JUL-2024	24	DR. M. SAHABUDDIN	26-JUL-2024	25	DR. M. SAHABUDDIN	26-JUL-2024	26	DR. M. SAHABUDDIN	26-JUL-2024	27	DR. M. SAHABUDDIN	26-JUL-2024	28	DR. M. SAHABUDDIN	26-JUL-2024	29	DR. M. SAHABUDDIN	26-JUL-2024	30	DR. M. SAHABUDDIN	26-JUL-2024	31	DR. M. SAHABUDDIN	26-JUL-2024	32	DR. M. SAHABUDDIN	26-JUL-2024	33	DR. M. SAHABUDDIN	26-JUL-2024	34	DR. M. SAHABUDDIN	26-JUL-2024	35	DR. M. SAHABUDDIN	26-JUL-2024	36	DR. M. SAHABUDDIN	26-JUL-2024	37	DR. M. SAHABUDDIN	26-JUL-2024	38	DR. M. SAHABUDDIN	26-JUL-2024	39	DR. M. SAHABUDDIN	26-JUL-2024	40	DR. M. SAHABUDDIN	26-JUL-2024	41	DR. M. SAHABUDDIN	26-JUL-2024	42	DR. M. SAHABUDDIN	26-JUL-2024	43	DR. M. SAHABUDDIN	26-JUL-2024	44	DR. M. SAHABUDDIN	26-JUL-2024	45	DR. M. SAHABUDDIN	26-JUL-2024	46	DR. M. SAHABUDDIN	26-JUL-2024	47	DR. M. SAHABUDDIN	26-JUL-2024	48	DR. M. SAHABUDDIN	26-JUL-2024	49	DR. M. SAHABUDDIN	26-JUL-2024	50	DR. M. SAHABUDDIN	26-JUL-2024	51	DR. M. SAHABUDDIN	26-JUL-2024	52	DR. M. SAHABUDDIN	26-JUL-2024	53	DR. M. SAHABUDDIN	26-JUL-2024	54	DR. M. SAHABUDDIN	26-JUL-2024	55	DR. M. SAHABUDDIN	26-JUL-2024	56	DR. M. SAHABUDDIN	26-JUL-2024	57	DR. M. SAHABUDDIN	26-JUL-2024	58	DR. M. SAHABUDDIN	26-JUL-2024
REVISED	DATE																																																																																																																																																																																																																																																																																																																																																																																																																																																																																										
1	26-JUL-2024																																																																																																																																																																																																																																																																																																																																																																																																																																																																																										
2	26-JUL-2024																																																																																																																																																																																																																																																																																																																																																																																																																																																																																										
3	26-JUL-2024																																																																																																																																																																																																																																																																																																																																																																																																																																																																																										
4	26-JUL-2024																																																																																																																																																																																																																																																																																																																																																																																																																																																																																										
5	26-JUL-2024																																																																																																																																																																																																																																																																																																																																																																																																																																																																																										
6	26-JUL-2024																																																																																																																																																																																																																																																																																																																																																																																																																																																																																										
7	26-JUL-2024																																																																																																																																																																																																																																																																																																																																																																																																																																																																																										
8	26-JUL-2024																																																																																																																																																																																																																																																																																																																																																																																																																																																																																										
9	26-JUL-2024																																																																																																																																																																																																																																																																																																																																																																																																																																																																																										
10	26-JUL-2024																																																																																																																																																																																																																																																																																																																																																																																																																																																																																										
11	26-JUL-2024																																																																																																																																																																																																																																																																																																																																																																																																																																																																																										
12	26-JUL-2024																																																																																																																																																																																																																																																																																																																																																																																																																																																																																										
13	26-JUL-2024																																																																																																																																																																																																																																																																																																																																																																																																																																																																																										
14	26-JUL-2024																																																																																																																																																																																																																																																																																																																																																																																																																																																																																										
15	26-JUL-2024																																																																																																																																																																																																																																																																																																																																																																																																																																																																																										
16	26-JUL-2024																																																																																																																																																																																																																																																																																																																																																																																																																																																																																										
17	26-JUL-2024																																																																																																																																																																																																																																																																																																																																																																																																																																																																																										
18	26-JUL-2024																																																																																																																																																																																																																																																																																																																																																																																																																																																																																										
19	26-JUL-2024																																																																																																																																																																																																																																																																																																																																																																																																																																																																																										
20	26-JUL-2024																																																																																																																																																																																																																																																																																																																																																																																																																																																																																										
21	26-JUL-2024																																																																																																																																																																																																																																																																																																																																																																																																																																																																																										
22	26-JUL-2024																																																																																																																																																																																																																																																																																																																																																																																																																																																																																										
23	26-JUL-2024																																																																																																																																																																																																																																																																																																																																																																																																																																																																																										
24	26-JUL-2024																																																																																																																																																																																																																																																																																																																																																																																																																																																																																										
25	26-JUL-2024																																																																																																																																																																																																																																																																																																																																																																																																																																																																																										
26	26-JUL-2024																																																																																																																																																																																																																																																																																																																																																																																																																																																																																										
27	26-JUL-2024																																																																																																																																																																																																																																																																																																																																																																																																																																																																																										
28	26-JUL-2024																																																																																																																																																																																																																																																																																																																																																																																																																																																																																										
29	26-JUL-2024																																																																																																																																																																																																																																																																																																																																																																																																																																																																																										
30	26-JUL-2024																																																																																																																																																																																																																																																																																																																																																																																																																																																																																										
31	26-JUL-2024																																																																																																																																																																																																																																																																																																																																																																																																																																																																																										
32	26-JUL-2024																																																																																																																																																																																																																																																																																																																																																																																																																																																																																										
33	26-JUL-2024																																																																																																																																																																																																																																																																																																																																																																																																																																																																																										
34	26-JUL-2024																																																																																																																																																																																																																																																																																																																																																																																																																																																																																										
35	26-JUL-2024																																																																																																																																																																																																																																																																																																																																																																																																																																																																																										
36	26-JUL-2024																																																																																																																																																																																																																																																																																																																																																																																																																																																																																										
37	26-JUL-2024																																																																																																																																																																																																																																																																																																																																																																																																																																																																																										
38	26-JUL-2024																																																																																																																																																																																																																																																																																																																																																																																																																																																																																										
39	26-JUL-2024																																																																																																																																																																																																																																																																																																																																																																																																																																																																																										
40	26-JUL-2024																																																																																																																																																																																																																																																																																																																																																																																																																																																																																										
41	26-JUL-2024																																																																																																																																																																																																																																																																																																																																																																																																																																																																																										
42	26-JUL-2024																																																																																																																																																																																																																																																																																																																																																																																																																																																																																										
43	26-JUL-2024																																																																																																																																																																																																																																																																																																																																																																																																																																																																																										
44	26-JUL-2024																																																																																																																																																																																																																																																																																																																																																																																																																																																																																										
45	26-JUL-2024																																																																																																																																																																																																																																																																																																																																																																																																																																																																																										
46	26-JUL-2024																																																																																																																																																																																																																																																																																																																																																																																																																																																																																										
47	26-JUL-2024																																																																																																																																																																																																																																																																																																																																																																																																																																																																																										
48	26-JUL-2024																																																																																																																																																																																																																																																																																																																																																																																																																																																																																										
49	26-JUL-2024																																																																																																																																																																																																																																																																																																																																																																																																																																																																																										
50	26-JUL-2024																																																																																																																																																																																																																																																																																																																																																																																																																																																																																										
51	26-JUL-2024																																																																																																																																																																																																																																																																																																																																																																																																																																																																																										
52	26-JUL-2024																																																																																																																																																																																																																																																																																																																																																																																																																																																																																										
53	26-JUL-2024																																																																																																																																																																																																																																																																																																																																																																																																																																																																																										
54	26-JUL-2024																																																																																																																																																																																																																																																																																																																																																																																																																																																																																										
55	26-JUL-2024																																																																																																																																																																																																																																																																																																																																																																																																																																																																																										
56	26-JUL-2024																																																																																																																																																																																																																																																																																																																																																																																																																																																																																										
57	26-JUL-2024																																																																																																																																																																																																																																																																																																																																																																																																																																																																																										
58	26-JUL-2024																																																																																																																																																																																																																																																																																																																																																																																																																																																																																										
NO.	NAME	DATE																																																																																																																																																																																																																																																																																																																																																																																																																																																																																									
1	DR. M. SAHABUDDIN	26-JUL-2024																																																																																																																																																																																																																																																																																																																																																																																																																																																																																									
2	DR. M. SAHABUDDIN	26-JUL-2024																																																																																																																																																																																																																																																																																																																																																																																																																																																																																									
3	DR. M. SAHABUDDIN	26-JUL-2024																																																																																																																																																																																																																																																																																																																																																																																																																																																																																									
4	DR. M. SAHABUDDIN	26-JUL-2024																																																																																																																																																																																																																																																																																																																																																																																																																																																																																									
5	DR. M. SAHABUDDIN	26-JUL-2024																																																																																																																																																																																																																																																																																																																																																																																																																																																																																									
6	DR. M. SAHABUDDIN	26-JUL-2024																																																																																																																																																																																																																																																																																																																																																																																																																																																																																									
7	DR. M. SAHABUDDIN	26-JUL-2024																																																																																																																																																																																																																																																																																																																																																																																																																																																																																									
8	DR. M. SAHABUDDIN	26-JUL-2024																																																																																																																																																																																																																																																																																																																																																																																																																																																																																									
9	DR. M. SAHABUDDIN	26-JUL-2024																																																																																																																																																																																																																																																																																																																																																																																																																																																																																									
10	DR. M. SAHABUDDIN	26-JUL-2024																																																																																																																																																																																																																																																																																																																																																																																																																																																																																									
11	DR. M. SAHABUDDIN	26-JUL-2024																																																																																																																																																																																																																																																																																																																																																																																																																																																																																									
12	DR. M. SAHABUDDIN	26-JUL-2024																																																																																																																																																																																																																																																																																																																																																																																																																																																																																									
13	DR. M. SAHABUDDIN	26-JUL-2024																																																																																																																																																																																																																																																																																																																																																																																																																																																																																									
14	DR. M. SAHABUDDIN	26-JUL-2024																																																																																																																																																																																																																																																																																																																																																																																																																																																																																									
15	DR. M. SAHABUDDIN	26-JUL-2024																																																																																																																																																																																																																																																																																																																																																																																																																																																																																									
16	DR. M. SAHABUDDIN	26-JUL-2024																																																																																																																																																																																																																																																																																																																																																																																																																																																																																									
17	DR. M. SAHABUDDIN	26-JUL-2024																																																																																																																																																																																																																																																																																																																																																																																																																																																																																									
18	DR. M. SAHABUDDIN	26-JUL-2024																																																																																																																																																																																																																																																																																																																																																																																																																																																																																									
19	DR. M. SAHABUDDIN	26-JUL-2024																																																																																																																																																																																																																																																																																																																																																																																																																																																																																									
20	DR. M. SAHABUDDIN	26-JUL-2024																																																																																																																																																																																																																																																																																																																																																																																																																																																																																									
21	DR. M. SAHABUDDIN	26-JUL-2024																																																																																																																																																																																																																																																																																																																																																																																																																																																																																									
22	DR. M. SAHABUDDIN	26-JUL-2024																																																																																																																																																																																																																																																																																																																																																																																																																																																																																									
23	DR. M. SAHABUDDIN	26-JUL-2024																																																																																																																																																																																																																																																																																																																																																																																																																																																																																									
24	DR. M. SAHABUDDIN	26-JUL-2024																																																																																																																																																																																																																																																																																																																																																																																																																																																																																									
25	DR. M. SAHABUDDIN	26-JUL-2024																																																																																																																																																																																																																																																																																																																																																																																																																																																																																									
26	DR. M. SAHABUDDIN	26-JUL-2024																																																																																																																																																																																																																																																																																																																																																																																																																																																																																									
27	DR. M. SAHABUDDIN	26-JUL-2024																																																																																																																																																																																																																																																																																																																																																																																																																																																																																									
28	DR. M. SAHABUDDIN	26-JUL-2024																																																																																																																																																																																																																																																																																																																																																																																																																																																																																									
29	DR. M. SAHABUDDIN	26-JUL-2024																																																																																																																																																																																																																																																																																																																																																																																																																																																																																									
30	DR. M. SAHABUDDIN	26-JUL-2024																																																																																																																																																																																																																																																																																																																																																																																																																																																																																									
31	DR. M. SAHABUDDIN	26-JUL-2024																																																																																																																																																																																																																																																																																																																																																																																																																																																																																									
32	DR. M. SAHABUDDIN	26-JUL-2024																																																																																																																																																																																																																																																																																																																																																																																																																																																																																									
33	DR. M. SAHABUDDIN	26-JUL-2024																																																																																																																																																																																																																																																																																																																																																																																																																																																																																									
34	DR. M. SAHABUDDIN	26-JUL-2024																																																																																																																																																																																																																																																																																																																																																																																																																																																																																									
35	DR. M. SAHABUDDIN	26-JUL-2024																																																																																																																																																																																																																																																																																																																																																																																																																																																																																									
36	DR. M. SAHABUDDIN	26-JUL-2024																																																																																																																																																																																																																																																																																																																																																																																																																																																																																									
37	DR. M. SAHABUDDIN	26-JUL-2024																																																																																																																																																																																																																																																																																																																																																																																																																																																																																									
38	DR. M. SAHABUDDIN	26-JUL-2024																																																																																																																																																																																																																																																																																																																																																																																																																																																																																									
39	DR. M. SAHABUDDIN	26-JUL-2024																																																																																																																																																																																																																																																																																																																																																																																																																																																																																									
40	DR. M. SAHABUDDIN	26-JUL-2024																																																																																																																																																																																																																																																																																																																																																																																																																																																																																									
41	DR. M. SAHABUDDIN	26-JUL-2024																																																																																																																																																																																																																																																																																																																																																																																																																																																																																									
42	DR. M. SAHABUDDIN	26-JUL-2024																																																																																																																																																																																																																																																																																																																																																																																																																																																																																									
43	DR. M. SAHABUDDIN	26-JUL-2024																																																																																																																																																																																																																																																																																																																																																																																																																																																																																									
44	DR. M. SAHABUDDIN	26-JUL-2024																																																																																																																																																																																																																																																																																																																																																																																																																																																																																									
45	DR. M. SAHABUDDIN	26-JUL-2024																																																																																																																																																																																																																																																																																																																																																																																																																																																																																									
46	DR. M. SAHABUDDIN	26-JUL-2024																																																																																																																																																																																																																																																																																																																																																																																																																																																																																									
47	DR. M. SAHABUDDIN	26-JUL-2024																																																																																																																																																																																																																																																																																																																																																																																																																																																																																									
48	DR. M. SAHABUDDIN	26-JUL-2024																																																																																																																																																																																																																																																																																																																																																																																																																																																																																									
49	DR. M. SAHABUDDIN	26-JUL-2024																																																																																																																																																																																																																																																																																																																																																																																																																																																																																									
50	DR. M. SAHABUDDIN	26-JUL-2024																																																																																																																																																																																																																																																																																																																																																																																																																																																																																									
51	DR. M. SAHABUDDIN	26-JUL-2024																																																																																																																																																																																																																																																																																																																																																																																																																																																																																									
52	DR. M. SAHABUDDIN	26-JUL-2024																																																																																																																																																																																																																																																																																																																																																																																																																																																																																									
53	DR. M. SAHABUDDIN	26-JUL-2024																																																																																																																																																																																																																																																																																																																																																																																																																																																																																									
54	DR. M. SAHABUDDIN	26-JUL-2024																																																																																																																																																																																																																																																																																																																																																																																																																																																																																									
55	DR. M. SAHABUDDIN	26-JUL-2024																																																																																																																																																																																																																																																																																																																																																																																																																																																																																									
56	DR. M. SAHABUDDIN	26-JUL-2024																																																																																																																																																																																																																																																																																																																																																																																																																																																																																									
57	DR. M. SAHABUDDIN	26-JUL-2024																																																																																																																																																																																																																																																																																																																																																																																																																																																																																									
58	DR. M. SAHABUDDIN	26-JUL-2024																																																																																																																																																																																																																																																																																																																																																																																																																																																																																									
NO.	NAME	DATE																																																																																																																																																																																																																																																																																																																																																																																																																																																																																									
1	DR. M. SAHABUDDIN	26-JUL-2024																																																																																																																																																																																																																																																																																																																																																																																																																																																																																									
2	DR. M. SAHABUDDIN	26-JUL-2024																																																																																																																																																																																																																																																																																																																																																																																																																																																																																									
3	DR. M. SAHABUDDIN	26-JUL-2024																																																																																																																																																																																																																																																																																																																																																																																																																																																																																									
4	DR. M. SAHABUDDIN	26-JUL-2024																																																																																																																																																																																																																																																																																																																																																																																																																																																																																									
5	DR. M. SAHABUDDIN	26-JUL-2024																																																																																																																																																																																																																																																																																																																																																																																																																																																																																									
6	DR. M. SAHABUDDIN	26-JUL-2024																																																																																																																																																																																																																																																																																																																																																																																																																																																																																									
7	DR. M. SAHABUDDIN	26-JUL-2024																																																																																																																																																																																																																																																																																																																																																																																																																																																																																									
8	DR. M. SAHABUDDIN	26-JUL-2024																																																																																																																																																																																																																																																																																																																																																																																																																																																																																									
9	DR. M. SAHABUDDIN	26-JUL-2024																																																																																																																																																																																																																																																																																																																																																																																																																																																																																									
10	DR. M. SAHABUDDIN	26-JUL-2024																																																																																																																																																																																																																																																																																																																																																																																																																																																																																									
11	DR. M. SAHABUDDIN	26-JUL-2024																																																																																																																																																																																																																																																																																																																																																																																																																																																																																									
12	DR. M. SAHABUDDIN	26-JUL-2024																																																																																																																																																																																																																																																																																																																																																																																																																																																																																									
13	DR. M. SAHABUDDIN	26-JUL-2024																																																																																																																																																																																																																																																																																																																																																																																																																																																																																									
14	DR. M. SAHABUDDIN	26-JUL-2024																																																																																																																																																																																																																																																																																																																																																																																																																																																																																									
15	DR. M. SAHABUDDIN	26-JUL-2024																																																																																																																																																																																																																																																																																																																																																																																																																																																																																									
16	DR. M. SAHABUDDIN	26-JUL-2024																																																																																																																																																																																																																																																																																																																																																																																																																																																																																									
17	DR. M. SAHABUDDIN	26-JUL-2024																																																																																																																																																																																																																																																																																																																																																																																																																																																																																									
18	DR. M. SAHABUDDIN	26-JUL-2024																																																																																																																																																																																																																																																																																																																																																																																																																																																																																									
19	DR. M. SAHABUDDIN	26-JUL-2024																																																																																																																																																																																																																																																																																																																																																																																																																																																																																									
20	DR. M. SAHABUDDIN	26-JUL-2024																																																																																																																																																																																																																																																																																																																																																																																																																																																																																									
21	DR. M. SAHABUDDIN	26-JUL-2024																																																																																																																																																																																																																																																																																																																																																																																																																																																																																									
22	DR. M. SAHABUDDIN	26-JUL-2024																																																																																																																																																																																																																																																																																																																																																																																																																																																																																									
23	DR. M. SAHABUDDIN	26-JUL-2024																																																																																																																																																																																																																																																																																																																																																																																																																																																																																									
24	DR. M. SAHABUDDIN	26-JUL-2024																																																																																																																																																																																																																																																																																																																																																																																																																																																																																									
25	DR. M. SAHABUDDIN	26-JUL-2024																																																																																																																																																																																																																																																																																																																																																																																																																																																																																									
26	DR. M. SAHABUDDIN	26-JUL-2024																																																																																																																																																																																																																																																																																																																																																																																																																																																																																									
27	DR. M. SAHABUDDIN	26-JUL-2024																																																																																																																																																																																																																																																																																																																																																																																																																																																																																									
28	DR. M. SAHABUDDIN	26-JUL-2024																																																																																																																																																																																																																																																																																																																																																																																																																																																																																									
29	DR. M. SAHABUDDIN	26-JUL-2024																																																																																																																																																																																																																																																																																																																																																																																																																																																																																									
30	DR. M. SAHABUDDIN	26-JUL-2024																																																																																																																																																																																																																																																																																																																																																																																																																																																																																									
31	DR. M. SAHABUDDIN	26-JUL-2024																																																																																																																																																																																																																																																																																																																																																																																																																																																																																									
32	DR. M. SAHABUDDIN	26-JUL-2024																																																																																																																																																																																																																																																																																																																																																																																																																																																																																									
33	DR. M. SAHABUDDIN	26-JUL-2024																																																																																																																																																																																																																																																																																																																																																																																																																																																																																									
34	DR. M. SAHABUDDIN	26-JUL-2024																																																																																																																																																																																																																																																																																																																																																																																																																																																																																									
35	DR. M. SAHABUDDIN	26-JUL-2024																																																																																																																																																																																																																																																																																																																																																																																																																																																																																									
36	DR. M. SAHABUDDIN	26-JUL-2024																																																																																																																																																																																																																																																																																																																																																																																																																																																																																									
37	DR. M. SAHABUDDIN	26-JUL-2024																																																																																																																																																																																																																																																																																																																																																																																																																																																																																									
38	DR. M. SAHABUDDIN	26-JUL-2024																																																																																																																																																																																																																																																																																																																																																																																																																																																																																									
39	DR. M. SAHABUDDIN	26-JUL-2024																																																																																																																																																																																																																																																																																																																																																																																																																																																																																									
40	DR. M. SAHABUDDIN	26-JUL-2024																																																																																																																																																																																																																																																																																																																																																																																																																																																																																									
41	DR. M. SAHABUDDIN	26-JUL-2024																																																																																																																																																																																																																																																																																																																																																																																																																																																																																									
42	DR. M. SAHABUDDIN	26-JUL-2024																																																																																																																																																																																																																																																																																																																																																																																																																																																																																									
43	DR. M. SAHABUDDIN	26-JUL-2024																																																																																																																																																																																																																																																																																																																																																																																																																																																																																									
44	DR. M. SAHABUDDIN	26-JUL-2024																																																																																																																																																																																																																																																																																																																																																																																																																																																																																									
45	DR. M. SAHABUDDIN	26-JUL-2024																																																																																																																																																																																																																																																																																																																																																																																																																																																																																									
46	DR. M. SAHABUDDIN	26-JUL-2024																																																																																																																																																																																																																																																																																																																																																																																																																																																																																									
47	DR. M. SAHABUDDIN	26-JUL-2024																																																																																																																																																																																																																																																																																																																																																																																																																																																																																									
48	DR. M. SAHABUDDIN	26-JUL-2024																																																																																																																																																																																																																																																																																																																																																																																																																																																																																									
49	DR. M. SAHABUDDIN	26-JUL-2024																																																																																																																																																																																																																																																																																																																																																																																																																																																																																									
50	DR. M. SAHABUDDIN	26-JUL-2024																																																																																																																																																																																																																																																																																																																																																																																																																																																																																									
51	DR. M. SAHABUDDIN	26-JUL-2024																																																																																																																																																																																																																																																																																																																																																																																																																																																																																									
52	DR. M. SAHABUDDIN	26-JUL-2024																																																																																																																																																																																																																																																																																																																																																																																																																																																																																									
53	DR. M. SAHABUDDIN	26-JUL-2024																																																																																																																																																																																																																																																																																																																																																																																																																																																																																									
54	DR. M. SAHABUDDIN	26-JUL-2024																																																																																																																																																																																																																																																																																																																																																																																																																																																																																									
55	DR. M. SAHABUDDIN	26-JUL-2024																																																																																																																																																																																																																																																																																																																																																																																																																																																																																									
56	DR. M. SAHABUDDIN	26-JUL-2024																																																																																																																																																																																																																																																																																																																																																																																																																																																																																									
57	DR. M. SAHABUDDIN	26-JUL-2024																																																																																																																																																																																																																																																																																																																																																																																																																																																																																									
58	DR. M. SAHABUDDIN	26-JUL-2024																																																																																																																																																																																																																																																																																																																																																																																																																																																																																									

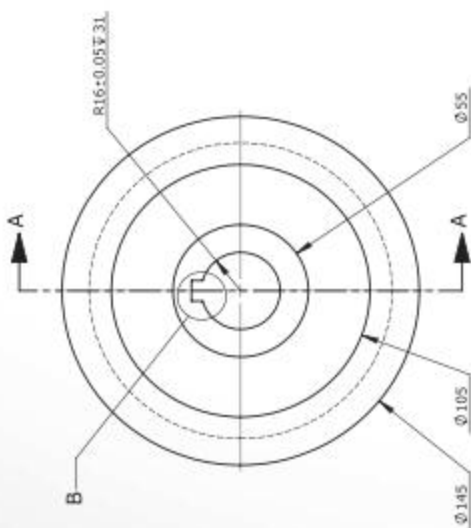
UNLESS OTHERWISE SPECIFIED:
 DIMENSIONS ARE IN MILLIMETERS
 HOLLOW DIMENSIONS ARE IN ANGULAR HOLE DIM.
 DIMENSIONS APPLY TO HOLE SIZE

DETAIL B
 SCALE 1 : 1

UNLESS OTHERWISE SPECIFIED:
 DIMENSIONS ARE IN MILLIMETERS
 HOLLOW DIMENSIONS ARE IN ANGULAR HOLE DIM.
 DIMENSIONS APPLY TO HOLE SIZE



SECTION A-A
SCALE 1 : 2



DETAIL B
SCALE 1 : 1



BANGLADESH RICE RESEARCH INSTITUTE
SFMRA PROJECT, FMPHT DIVISION

DO NOT SCALE DRAWING
FINISH: NONE
FIRST ISSUED: 26-JUL-2024

TITLE: FAST MOVING SPARE PARTS OF COMBINE HARVESTER

DRG. NAME: CUTTING_DRIVING_SHAFT_POWER_PULLEY_(TYPE-B)

PART NO: 47

MANUFACTURING METHOD: MACHINING

MATERIAL: GRAY CAST IRON

WEIGHT: 2544.56 g

A4

SCALE: 1:2

SHEET: 59

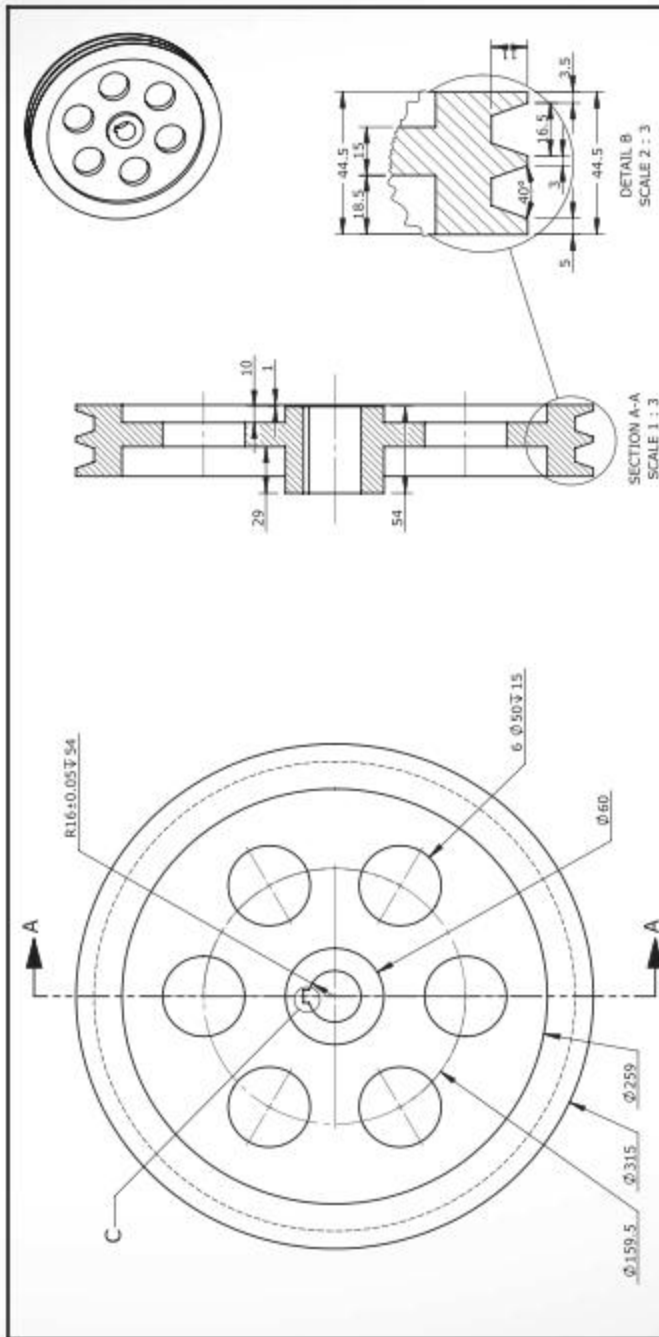
REVISION: A

UNLESS OTHERWISE SPECIFIED:	SYMBOL	UNIT	DATE
ALL DIMENSIONS ARE IN MILLIMETERS	3	JIS	26-JUL-2024
UNLESS NOTED OTHERWISE	1/16"	ASME	19-DEC-2023
ANGLES NOT APPLICABLE TO THIS SIZE	AS 1	AS 1	26-JUL-2024

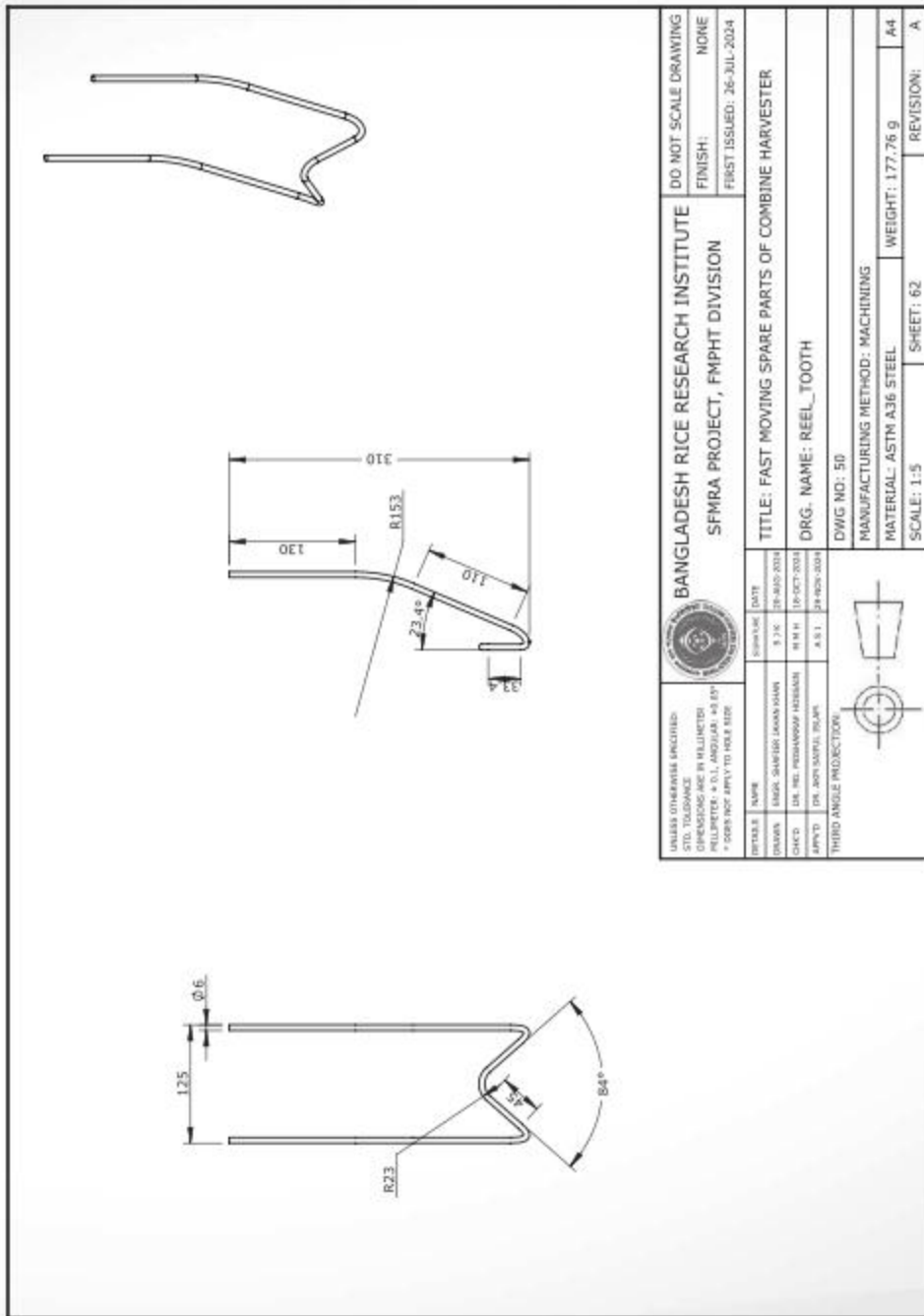
REVISION	DATE
01	26-JUL-2024
02	19-DEC-2023
03	26-JUL-2024

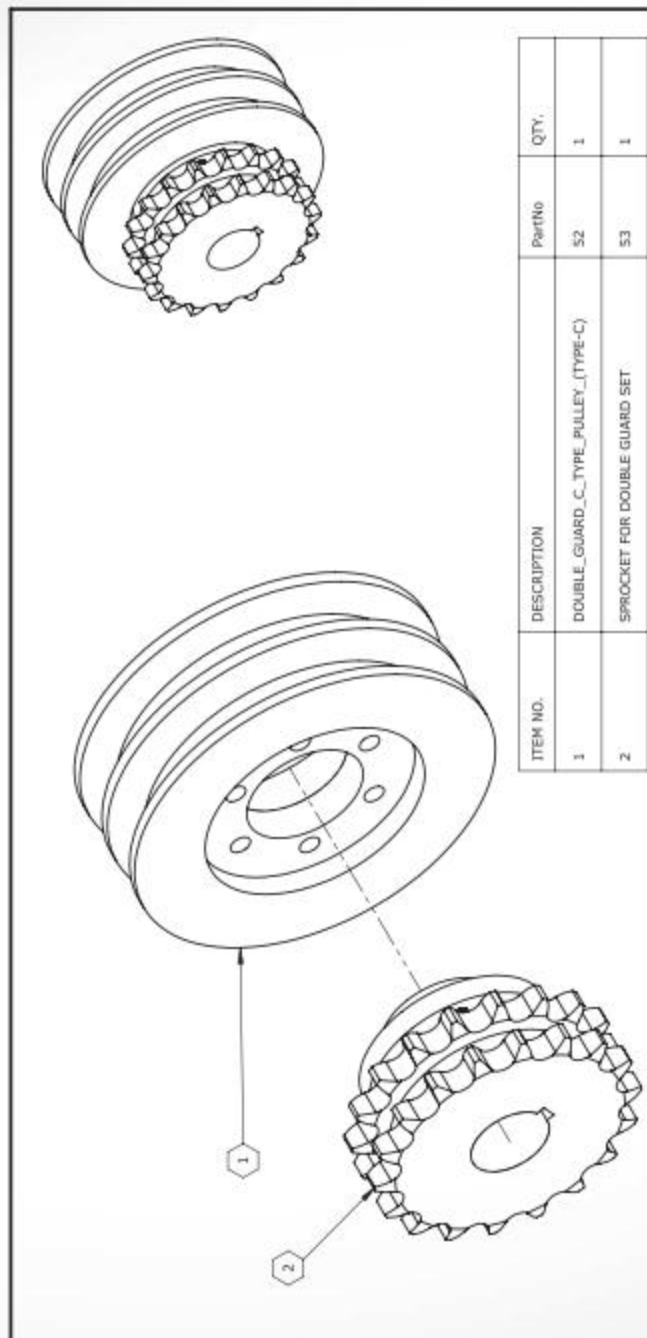


UNITS: VARYING DECIMAL PLACES: 0



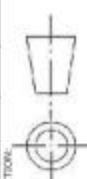
		BANGLADESH RICE RESEARCH INSTITUTE SFMRA PROJECT, FMPPT DIVISION		DO NOT SCALE DRAWING FINISH: NONE FIRST ISSUED: 26-JUL-2024	
UNLESS OTHERWISE SPECIFIED: STD. TOLERANCE DIMENSIONS ARE IN MILLIMETERS HOLE PATTERN - ALL ANGULAR - AS SHOWN * DIMENSIONS APPLY TO HOLE SIZE		SHEET NO. 3 OF 3 DATE 26-JUL-2024	DWG NO: 48 MANUFACTURING METHOD: MACHINING MATERIAL: GRAY CAST IRON SCALE: 1:3	TITLE: FAST MOVING SPARE PARTS OF COMBINE HARVESTER DRG. NAME: CONVEYING_PULLEY_(TYPE-B)	
TABLE B NAME DESIGNER CHECKED APPROVED THIRD ANGLE PROJECTION	MGRS. SAHARUJAMAN SHAH DR. HEL. PRADHANWAPADHANAN DR. SHARIFUL ISLAM	R.M.H. A.S.I.		WEIGHT: 11080.09 g REVISION: A	



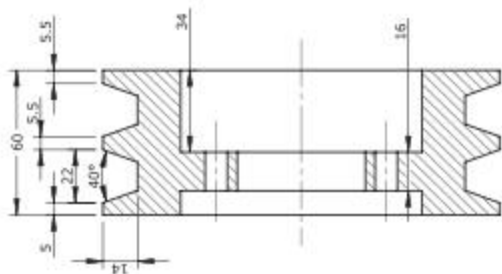


ITEM NO.	DESCRIPTION	PartNo	QTY.
1	DOUBLE_GUARD_C_TYPE_PULLEY_(TYPE-C)	52	1
2	SPROCKET FOR DOUBLE GUARD SET	53	1

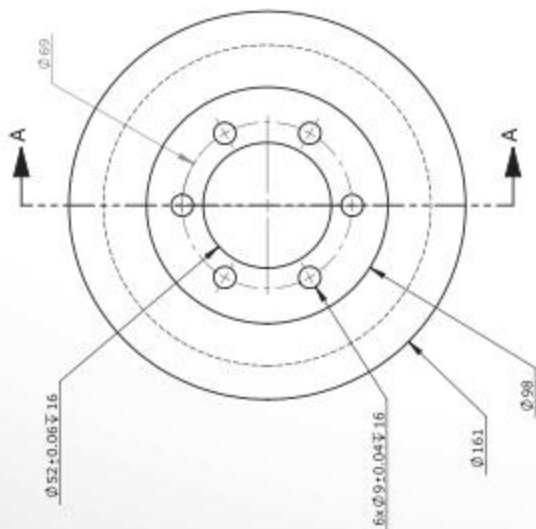
UNLESS OTHERWISE SPECIFIED: UNITS: MILLIMETERS DIMENSIONS ARE IN MILLIMETERS HOLLOW: H.O.L. ANGULAR: A.S.E.P. * DOES NOT APPLY TO HOLE SIZE				DO NOT SCALE DRAWING FINISH: NONE FIRST ISSUED: 26-JUL-2024	
BANGLADESH RICE RESEARCH INSTITUTE SFMR PROJECT, FMPPT DIVISION					
TITLE: FAST MOVING SPARE PARTS OF COMBINE HARVESTER					
DRG. NAME: DOUBLE_GUARD					
ASSEMBLY VIEW					
MANUFACTURING METHOD: MACHINING					
MATERIAL: CAST IRON					
SCALE: 1:2					
SHEET: 64				REVISION: A	
WEIGHT: 6820.71 g		A4			



C:\B-TRAINING\DECIMAL PULLEYSET.DWG



SECTION A-A
SCALE 1 : 2



PLEASE OBSERVE INCLUDES:
STD. TOLERANCE AS IN HELLINETER
DIMENSIONS ± 0.1 , ANGULAR $\pm 0.5^\circ$
- DOES NOT APPLY TO HOLE SIZE



BANGLADESH RICE RESEARCH INSTITUTE
SFMPA PROJECT, FMPHT DIVISION

DO NOT SCALE DRAWING
FINISH: NONE
FIRST ISSUED: 26-JUL-2024

REVISED	DATE	REASON
01	20-JUL-2024	R.F.K
02	10-OCT-2024	M.M.H
03	24-NOV-2024	A.S.I

TITLE: FAST MOVING SPARE PARTS OF COMBINE HARVESTER

DRG. NAME: DOUBLE_GUARD_C_TYPE_PULLEY_(TYPE-C)

DWG NO: 52

MANUFACTURING METHOD: MACHINING

MATERIAL: GRAY CAST IRON

WEIGHT: 4527.66 g

A4

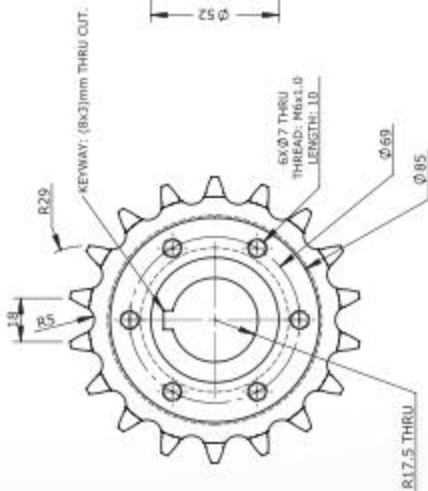
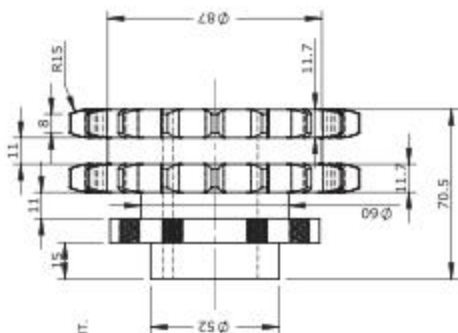
SCALE: 1:3

SHEET: 65

REVISION: A



\\B:\746266\DETAILED\PIECES\07



SPROCKET INFORMATION'S	DETAILS
NUMBER OF TEETH	18
OUTSIDE DIAMETER	119mm
BOTTOM DIAMETER	98mm



BANGLADESH RICE RESEARCH INSTITUTE
SFMR PROJECT, FMPDT DIVISION

DO NOT SCALE DRAWING
 FINISH: NONE
 FIRST ISSUED: 26-JUL-2024

DESIGNER	NAME	SIGNATURE	DATE
DESIGNER	MD. SAHURUJAMAN KHAN	[Signature]	26-JUL-2024
CHECKED	DR. HIL. PRAHARSAWATI HASANAH	[Signature]	19-OCT-2024
APPROVED	DR. SHARIFUL ISLAM	[Signature]	24-NOV-2024

TITLE: FAST MOVING SPARE PARTS OF COMBINE HARVESTER

DRG. NAME: SPROCKET FOR DOUBLE GUARD SET

DWG NO: 53

MANUFACTURING METHOD: MACHINING

MATERIAL: GRAY CAST IRON

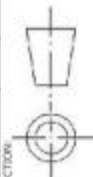
WEIGHT: 2293.05 g

A4

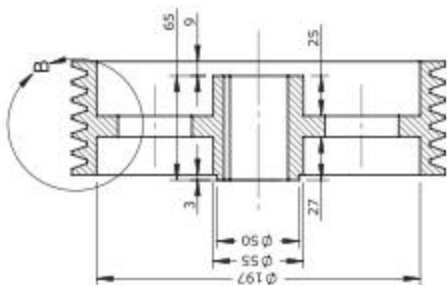
SCALE: 1:3

SHEET: 66

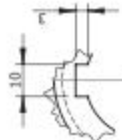
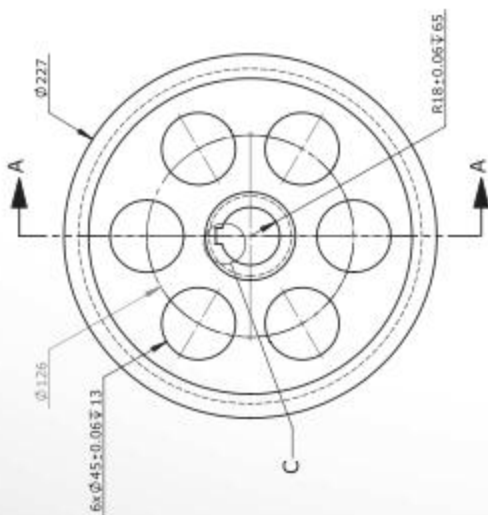
REVISION: A



DATE: 26-JUL-2024



SECTION A-A
SCALE 1 : 3

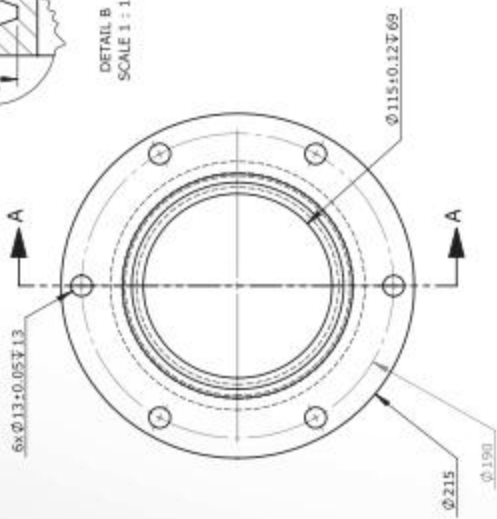
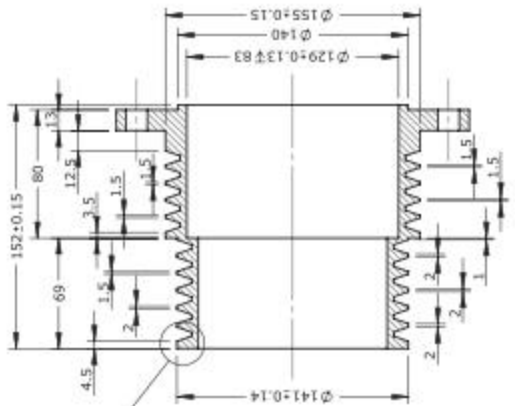


DETAIL C
SCALE 2 : 3

DETAIL B
SCALE 2 : 3

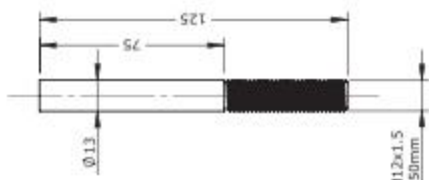
UNLESS OTHERWISE SPECIFIED: STD. TOLERANCE DIMENSIONS ARE IN MILLIMETERS HOLE PATTERN - ALL ANGULAR - AS SHOWN * DIMS NOT APPLY TO HOLE SIZE		TITLE: FAST MOVING SPARE PARTS OF COMBINE HARVESTER	DO NOT SCALE DRAWING
		SFMRA PROJECT, FMPPT DIVISION	FINISH: NONE FIRST ISSUED: 26-JUL-2024
DWG NO: 54	DATE: 26-JUL-2024	DRG. NAME: POWER TRANSMISSION PULLEY_(TYPE-A CUSTOM)	
NAME: NIGEL SAMUEL JAMAAN KHAN DESIGNED BY: NIGEL SAMUEL JAMAAN KHAN CHECKED BY: NIGEL SAMUEL JAMAAN KHAN APPROVED BY: NIGEL SAMUEL JAMAAN KHAN	DESIGNED BY: NIGEL SAMUEL JAMAAN KHAN CHECKED BY: NIGEL SAMUEL JAMAAN KHAN APPROVED BY: NIGEL SAMUEL JAMAAN KHAN	MANUFACTURING METHOD: MACHINING MATERIAL: GRAY CAST IRON	WEIGHT: 5919.67 g A4
THIRD ANGLE PROJECTION		SCALE: 1:3 SHEET: 67	REVISION: A

UNLESS OTHERWISE SPECIFIED: STD. TOLERANCE DIMENSIONS ARE IN MILLIMETERS HOLE PATTERN - ALL ANGULAR - AS SHOWN * DIMS NOT APPLY TO HOLE SIZE



	BANGLADESH RICE RESEARCH INSTITUTE SFMRA PROJECT, FMPHT DIVISION		DO NOT SCALE DRAWING FINISH: NONE FIRST ISSUED: 26-JUL-2024
	TITLE: FAST MOVING SPARE PARTS OF COMBINE HARVESTER		
UNLESS OTHERWISE SPECIFIED: STD. TOLERANCE DIMENSIONS ARE IN MILLIMETERS HOLE PATTERN - ALL ANGULAR - AS SHOWN * DIMENSIONS APPLY TO HOLE SIZE	DWG NO: 56 MANUFACTURING METHOD: MACHINING MATERIAL: GRAY CAST IRON SCALE: 1:3	DRG. NAME: FLY_WHEEL_DRIVING_PULLEY_(TYPE-A_CUSTOM) DWG NO: 56 MANUFACTURING METHOD: MACHINING MATERIAL: GRAY CAST IRON SCALE: 1:3	WEIGHT: 5749.55 g REVISION: A
TABLE B NAME: _____ DESIGNER: _____ CHECKED: _____ APPROVED: _____ THIRD ANGLE PROJECTION	SIGNATURE: _____ DATE: _____ DESIGNED BY: _____ DATE: _____ DRAWN BY: _____ DATE: _____		SHEET: 69 REVISION: A

UNITS: MILLIMETER (DIMENSIONS)



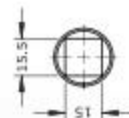
$\phi 13$
 75
 125
 M12x1.5
 THREAD LENGTH: 50mm

UNLESS OTHERWISE SPECIFIED: STD. TOLERANCE DIMENSIONS ARE IN MILLIMETERS HOLE/PITCHER: H & D, ANGULAR: AS SHOWN * DIMENSIONS APPLY TO HOLE SIZE				BANGLADESH RICE RESEARCH INSTITUTE SFMRA PROJECT, FMPPT DIVISION		DO NOT SCALE DRAWING FINISH: NONE FIRST ISSUED: 26-JUL-2024	
DESIGNER	NAME	SIGNATURE	DATE	TITLE: FAST MOVING SPARE PARTS OF COMBINE HARVESTER			
DRWEN	MD. SAHUR AJAM KHAN	S. JK	22-MAR-2024	DRG. NAME: THRESHING_ROLLER_TOOTH			
CHECK	DR. HEL. FEROUSOOP HASSEMAN	M. M. H.	19-OCT-2023	DWG NO: 57			
APPROV	DR. SHARIFUL ISLAM	A. S. I.	24-APR-2024	MANUFACTURING METHOD: MACHINING MATERIAL: ASTM A36 STEEL WEIGHT: 120.33 g SCALE: 1:2 SHEET: 70 REVISION: A			
THIRD ANGLE PROJECTION							

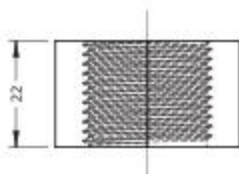
UNITS: DIMENSIONS IN MILLIMETERS



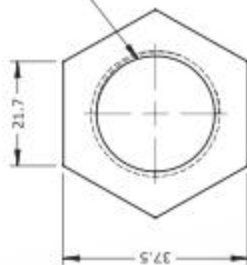
Ø 22
 THREAD: M24x2.0
 LENGTH: 355



UNLESS OTHERWISE SPECIFIED: STD. TOLERANCE DIMENSIONS ARE IN MILLIMETER HOLE DIMS. + 0.1, ANGULAR ± 0.5° * DOES NOT APPLY TO HOLE SIZE				BANGLADESH RICE RESEARCH INSTITUTE SFMRA PROJECT, FMPPT DIVISION		DO NOT SCALE DRAWING FINISH: NONE FIRST ISSUED: 26-JUL-2024	
DRAWN: ENGR. SAUFIK HANIF KHAN CHKD: DR. MD. HOSHAUF KOSGAM APPVD: DR. MD. SAJJAD HANIF	DATE: 22-MAR-2024 PER: 18-OCT-2024 DES: 20-JUN-2024	TITLE: FAST MOVING SPARE PARTS OF COMBINE HARVESTER DRG. NAME: THREAD_SHAFT DWG. NO: 58		MANUFACTURING METHOD: MACHINING MATERIAL: ASTM A36 STEEL WEIGHT: 1190.11 g		SHEET: 71 REVISION: A	
THIRD ANGLE PROJECTION:		SCALE: 1:2					
UNITS: TAKING DECIMAL PLACES: 01							

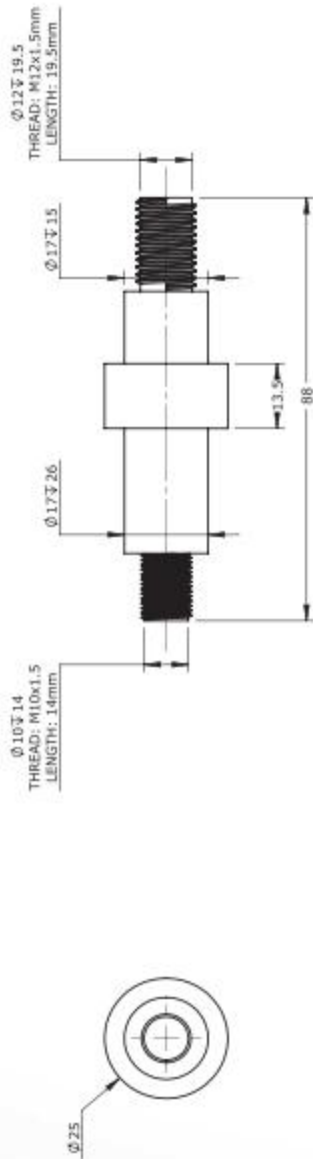


M24x2.0 TREAD SIZE AND DIAMETER APPLY



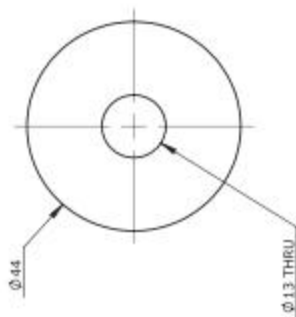
UNLESS OTHERWISE SPECIFIED: STD. TOLERANCE DIMENSIONS ARE IN MILLIMETER PREFERENCE: A S I, ANGULAR AS SHW * DOES NOT APPLY TO HOLE SIZE				BANGLADESH RICE RESEARCH INSTITUTE SFMRA PROJECT, FMPHT DIVISION		DO NOT SCALE DRAWING FINISH: NONE FIRST ISSUED: 26-JUL-2024	
DESIGNS NAME DRAWN CHECKED APPROVED	DESIGNED S. I. K. P. M. R. A. S. I.	DATE 22-AUG-2024 18-OCT-2024 29-NOV-2024	TITLE: FAST MOVING SPARE PARTS OF COMBINE HARVESTER DRG. NAME: THREAD_NUT DWG NO: 59				
THIRD ANGLE PROJECTION: 			MANUFACTURING METHOD: MACHINING MATERIAL: ASTM A36 STEEL WEIGHT: 126.05 g SCALE: 1:1 SHEET: 72 REVISION: A				

DATE: ZAKIYE DECIMAL PLACES: 01



		BANGLADESH RICE RESEARCH INSTITUTE SFMRA PROJECT, FMPHT DIVISION		DO NOT SCALE DRAWING FINISH: NONE FIRST ISSUED: 26-JUL-2024	
UNLESS OTHERWISE SPECIFIED: SIZES, TOLERANCES DIMENSIONS ARE IN MILLIMETERS MILLIMETERS - ± 0.1, ANGULAR - ±0.5° * DOES NOT APPLY TO HOLE SIZE		TITLE: FAST MOVING SPARE PARTS OF COMBINE HARVESTER			
DWG NO: 60	DRG. NAME: CRANK_PIN				
DRWNR: MDK. SHAMIR UMAN KHAN CHKD: DR. HEL. ROSHANARAH KHANIM APPVD: DR. SH. MAMUN BELAL	DATE: 22-MAR-2024 P1/H1 P1/H1 A.S.I. 20-NOV-2024				
THIRD ANGLE PROJECTION		MANUFACTURING METHOD: MACHINING MATERIAL: ASTM A36 STEEL WEIGHT: 147.82 g SCALE: 1:1			
		SHEET: 73		REVISION: A	

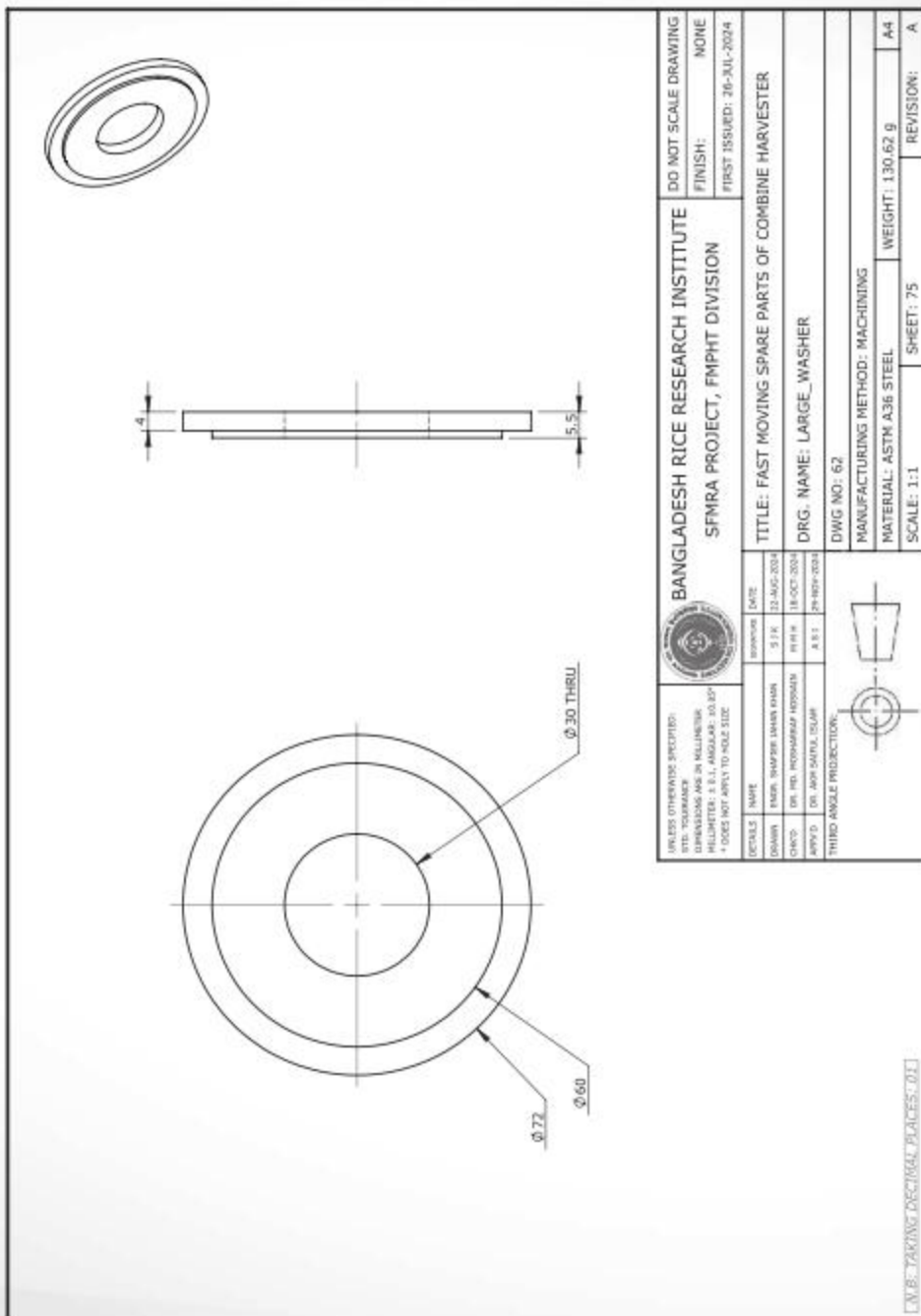
\\B:\DRAWING\DCR\60\PIRACES\01

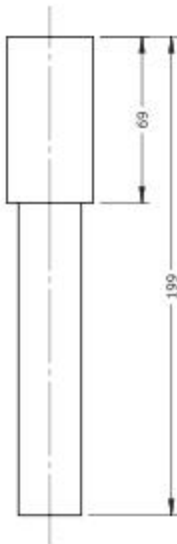
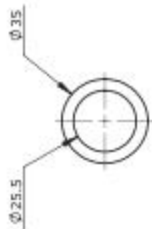


UNLESS OTHERWISE SPECIFIED: UNITS: MILLIMETERS DIMENSIONS ARE IN MILLIMETERS HOLE DIMENSIONS: H 8/f 7, ANGULAR: 10.00° * DOES NOT APPLY TO HOLE SIZE			BANGLADESH RICE RESEARCH INSTITUTE SFMR PROJECT, FMPHT DIVISION		DO NOT SCALE DRAWING
	DETAIL NAME DRAWN CHECKED APPROVED	SURVIVOR S I R P H R A B I	DATE 22-AUG-2024 18-OCT-2024 24-SEP-2024	FINISH: NONE FIRST ISSUED: 26-JUL-2024	
TITLE: FAST MOVING SPARE PARTS OF COMBINE HARVESTER					
DRG. NAME: SMALL_WASHER					
DWG NO: 61					
MANUFACTURING METHOD: MACHINING					
MATERIAL: ASTM A36 STEEL					WEIGHT: 59.06 g
SCALE: 1:1					SHEET: 74 REVISION: A



UNITS: MILLIMETERS (DIMENSIONS)

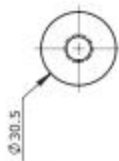




UNLESS OTHERWISE SPECIFIED: DIMENSIONS ARE IN MILLIMETERS HOLE DIMETER: ± 0.1, ANGULAR: ±0.5° * DOES NOT APPLY TO HOLE SIZE		BANGLADESH RICE RESEARCH INSTITUTE SFIRA PROJECT, FMPHT DIVISION		DO NOT SCALE DRAWING
		FINISH: NONE FIRST ISSUED: 26-JUL-2024		
TITLE: FAST MOVING SPARE PARTS OF COMBINE HARVESTER				
DRG. NAME: ROLLER_SHAFT				
DWG NO: 63				
MANUFACTURING METHOD: MACHINING				
MATERIAL: ASTM A36 STEEL				WEIGHT: 1042.30 g
SCALE: 1:2				SHEET: 76
				REVISION: A

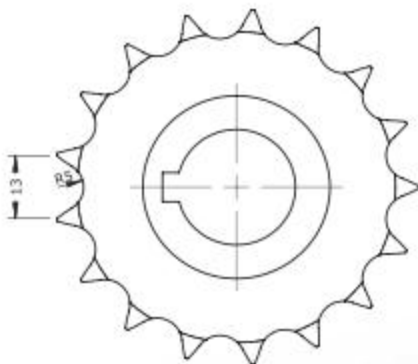
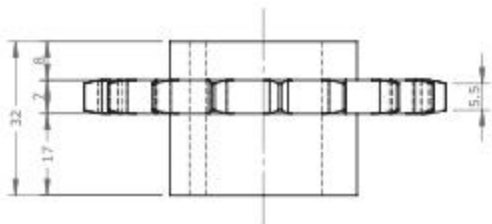


UNITS: TAKING DECIMAL PLACES: 01



UNLESS OTHERWISE SPECIFIED: SITS, TOLERANCE DIMENSIONS ARE IN MILLIMETERS HELLUMETER: ± 0.1 ANGULAR: $\pm 0.5^\circ$ * DOES NOT APPLY TO HOLE SIZE		BANGLADESH RICE RESEARCH INSTITUTE SFMR PROJECT, FNPDT DIVISION		DO NOT SCALE DRAWING
		TITLE: FAST MOVING SPARE PARTS OF COMBINE HARVESTER		FINISH: NONE FIRST ISSUED: 26-JUL-2024
DESIGNER: NAME: SAHABUDDIN KHAN DATE: 22-MAR-2024	CHECKED: DR. HEL. ROSHANARAF KHAN DATE: 18-OCT-2024	DRG. NAME: THRUST_WHEEL_AXEL		
APPROVED: DR. SAHABUDDIN KHAN DATE: 27-NOV-2024	THIRD ANGLE PROJECTION: 	DWG NO: 64 MANUFACTURING METHOD: MACHINING MATERIAL: ASTM A36 STEEL WEIGHT: 1076.19 g SCALE: 1:2 SHEET: 77 REVISION: A		

\\B:\DRAWING DESIG\BGL_P\BGLS\77



SPROCKET INFORMATION'S	DETAILS
NUMBER OF TEETH	17
OUTSIDE DIAMETER	74mm
PITCH DIAMETER	65mm
BOTTOM DIAMETER	62mm
HUB DIAMETER	38mm
SHAFT DIAMETER	24mm
NUMBER OF KEYS	1
KEYWAY SIZE	13x6mm

UNLESS OTHERWISE SPECIFIED:
 DIMENSIONS ARE IN MILLIMETERS
 HELLUMETER: ± 0.1 ANGULAR: $\pm 0.5^\circ$
 * DOES NOT APPLY TO HOLE SIZE



BANGLADESH RICE RESEARCH INSTITUTE
 SFMRA PROJECT, FMPHT DIVISION

DO NOT SCALE DRAWING
 FINISH: NONE
 FIRST ISSUED: 26-JUL-2024

REVISED	DATE	BY	CHKD	APPVD
01	22-MAR-2024	BJK	PIH	ASL
02	18-OCT-2024	PIH	ASL	ASL
03	20-NOV-2024	ASL	ASL	ASL

TITLE: FAST MOVING SPARE PARTS OF COMBINE HARVESTER

DRG. NAME: DRIVING_CHAIN_SPROCKET

DWG NO: 65

MANUFACTURING METHOD: MACHINING

MATERIAL: GRAY CAST IRON

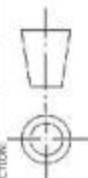
WEIGHT: 267.12 g

A4

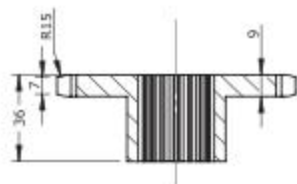
SCALE: 1:1

SHEET: 78

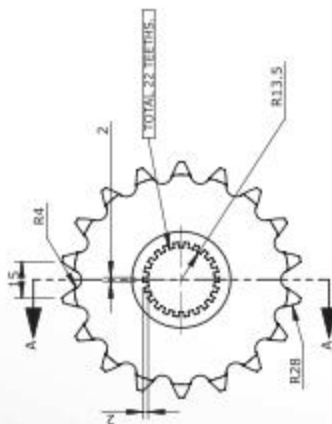
REVISION: A



UNB:ZAKING DESCRIBL:PLACES:01



SECTION A-A



SPROCKET INFORMATION'S	DETAILS
NUMBER OF TEETH	18
OUTSIDE DIAMETER	87mm
PITCH DIAMETER	87.23mm
BOTTOM DIAMETER	81mm
HUB DIAMETER	40mm



BANGLADESH RICE RESEARCH INSTITUTE
SFMRA PROJECT, FNPIPT DIVISION

DO NOT SCALE DRAWING
 FINISH: NONE
 FIRST ISSUED: 26-JUL-2024

DESIGNER	DATE
DESIGNER: SAHABUDDIN KHAN	25-MAR-2024
CHECKED: DR. FARUK HOSSEIN	18-OCT-2024
APPROVED: DR. SAHABUDDIN KHAN	25-MAR-2024

TITLE: FAST MOVING SPARE PARTS OF COMBINE HARVESTER

DRG. NAME: WHEEL_CHAIN_SPROCKET

DWG NO: 66

MANUFACTURING METHOD: MACHINING

MATERIAL: GRAY CAST IRON

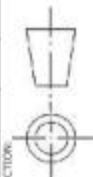
WEIGHT: 469.08 g

A4

SCALE: 1:2

SHEET: 79

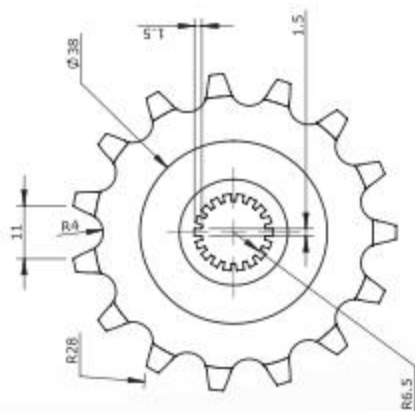
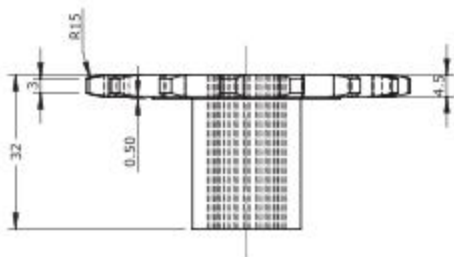
REVISION: A



\\B:\DRAWING\DCR\BGL\PIICES\01



SPROCKET INFORMATION'S		DETAILS	
NUMBER OF TEETH	15	OUTSIDE DIAMETER	68mm
PITCH DIAMETER	56.6mm	BOTTOM DIAMETER	53mm
HUB DIAMETER	22mm		



BANGLADESH RICE RESEARCH INSTITUTE
SFMR PROJECT, FNPIPT DIVISION

DO NOT SCALE DRAWING
 FINISH: NONE
 FIRST ISSUED: 26-JUL-2024

DESIGNER	NAME	DATE
DESIGNER	MD. SHAMSA IMAN KHAN	25-MAR-2024
CHECK	DR. FARUQUE AHMED	18-OCT-2024
APPROVED	DR. FARUQUE AHMED	20-NOV-2024

TITLE: FAST MOVING SPARE PARTS OF COMBINE HARVESTER

DRG. NAME: CHAIN_SPROCKET_15TEETH

DWG NO: 67

MANUFACTURING METHOD: MACHINING

MATERIAL: GRAY CAST IRON

WEIGHT: 124.40 g

A4

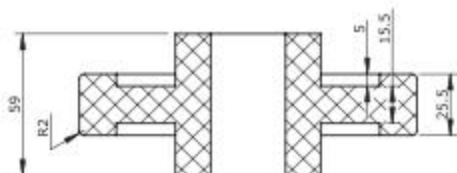
SCALE: 1:1

SHEET: 80

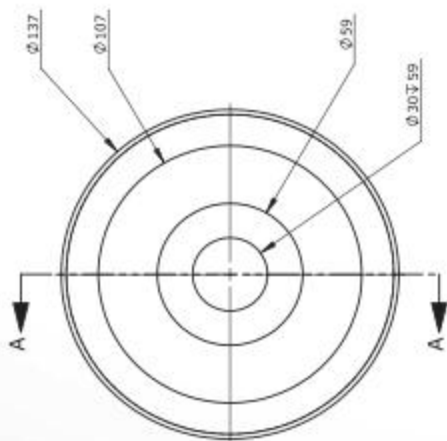
REVISION: A



UNBLOCKING DESCRIBED PLACES (C/D)

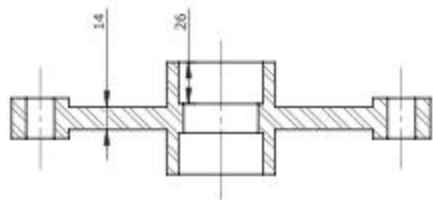
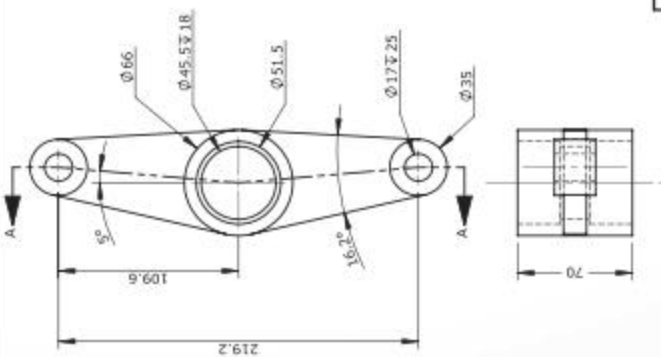


SECTION A-A

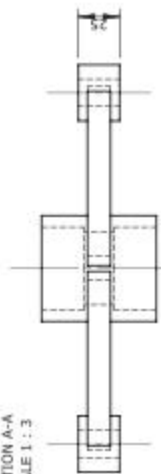


UNLESS OTHERWISE SPECIFIED: S.D.S. TOLERANCE DIMENSIONS ARE IN MILLIMETERS HOLE DIMENSIONS: ± 0.1 ANGULAR: $\pm 0.5^\circ$ * DOES NOT APPLY TO HOLE SIZE			DO NOT SCALE DRAWING
	FINISH: NONE FIRST ISSUED: 26-JUL-2024		BANGLADESH RICE RESEARCH INSTITUTE SFMRA PROJECT, FMPHT DIVISION
TITLE: FAST MOVING SPARE PARTS OF COMBINE HARVESTER	DRG. NAME: CARRIER ROLLER		
DWG NO: 68	MANUFACTURING METHOD: MACHINING		
MATERIAL: NYLON 101	WEIGHT: 415.55 g		
SCALE: 1:2	SHEET: 81		REVISION: A
UNLESS OTHERWISE SPECIFIED: S.D.S. TOLERANCE DIMENSIONS ARE IN MILLIMETERS HOLE DIMENSIONS: ± 0.1 ANGULAR: $\pm 0.5^\circ$ * DOES NOT APPLY TO HOLE SIZE	DESIGNED: SAHABUDDIN KHAN DATE: 25-MAR-2024	DRAWN: B.S.K. DATE: 25-MAR-2024	CHECKED: DR. HEL. ROSHANARAF KHANAM DATE: 18-OCT-2024
APPROVED: DR. SAHABUDDIN KHAN DATE: 26-JUL-2024	THIRD ANGLE PROJECTION		
			

UNITS: TAKING DECIMAL PLACES: 0.1



SECTION A-A
SCALE 1 : 3

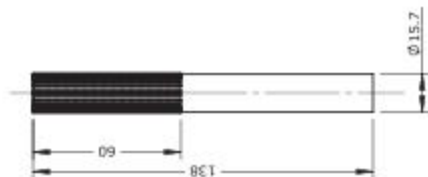


UNLESS OTHERWISE SPECIFIED: STD. TOLERANCE DIMENSIONS ARE IN MILLIMETERS HOLLOWERS - ± 0.1, ANGULAR - ± 0.5° * DOES NOT APPLY TO HOLE SIZE		DO NOT SCALE DRAWING
		FINISH: NONE FIRST ISSUED: 26-JUL-2024
BANGLADESH RICE RESEARCH INSTITUTE SFMRA PROJECT, FMPHT DIVISION		
TITLE: FAST MOVING SPARE PARTS OF COMBINE HARVESTER		
DRG. NAME: BLEED REAPING CRANK		
DWG NO: 69		
MANUFACTURING METHOD: MACHINING		
MATERIAL: ASTM A36 STEEL		
WEIGHT: 1839.83 g		
SCALE: 1:3		
SHEET: 82		REVISION: A
NAME: SHAMSUDDIN KHAN DRAWN: 03-JAN-2024 CHECK: DR. HIL. ROSHANAR RAHMAN APPROV: DR. SH. MURTEL RAJAP		DATE: 25-MAR-2024 BY: RJK P1/R18 18-OCT-2024 A.S.I. 25-MAR-2024
THIRD ANGLE PROJECTION		

UNB-TAKING DESCRIBED PLACES (01)

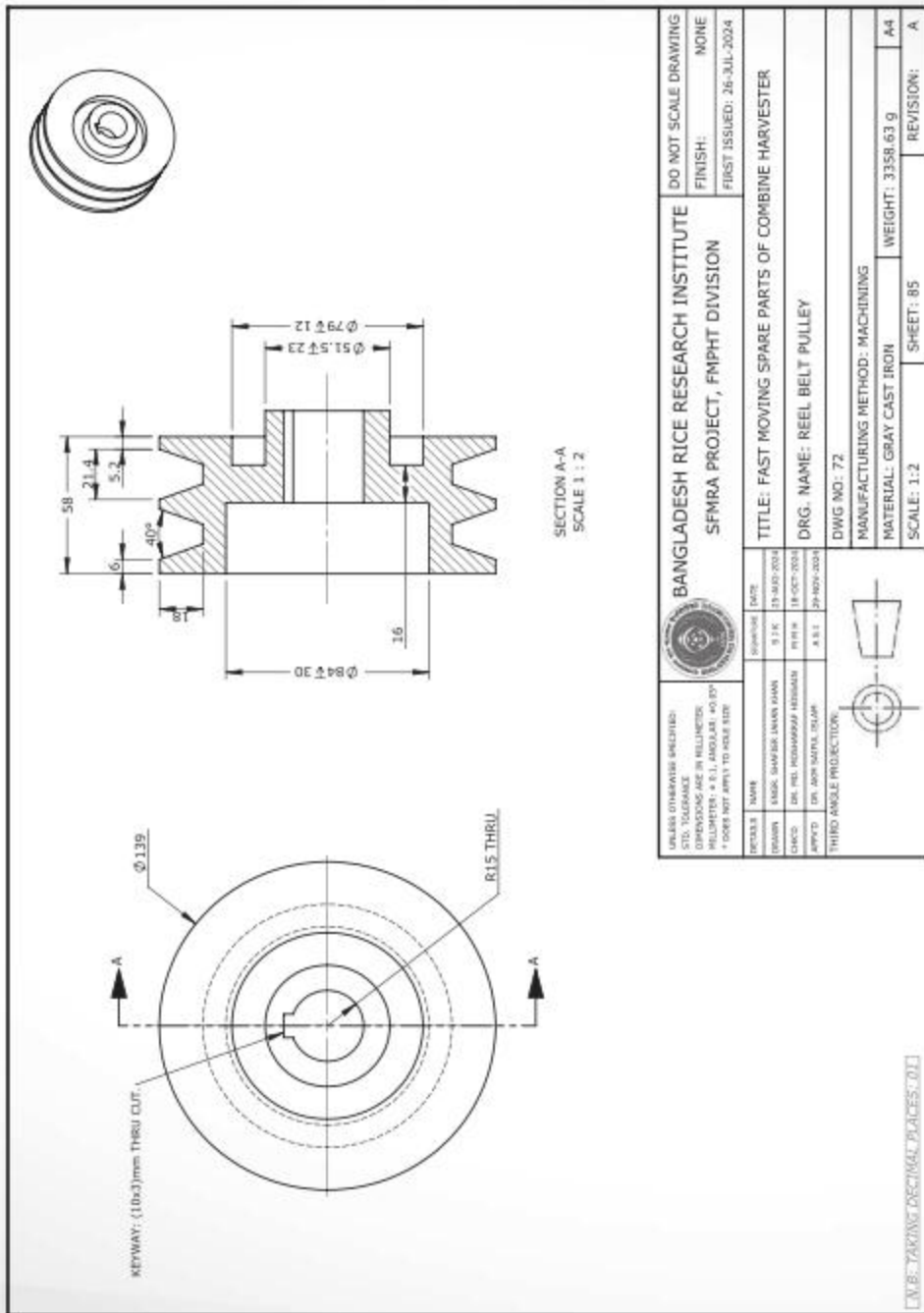


TOTAL 22 TEETHS
DETAIL A
SCALE 3 : 1



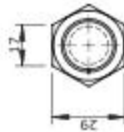
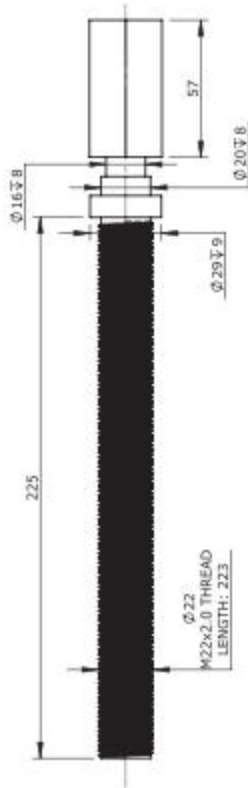
		BANGLADESH RICE RESEARCH INSTITUTE SFMRA PROJECT, FMPHT DIVISION		DO NOT SCALE DRAWING FINISH: NONE FIRST ISSUED: 26-JUL-2024
UNLESS OTHERWISE SPECIFIED: SITS, TOLERANCE DIMENSIONS ARE IN MILLIMETERS HELLUMETER - ± 0.1, ANGULAR - 40 TO 90° * DOES NOT APPLY TO HOLE SIZE		DESIGNED: SIK 25-MAR-2024	TITLE: FAST MOVING SPARE PARTS OF COMBINE HARVESTER	
DRAWN: MASUD SHAMSI/ANAN KHAN 18-OCT-2024	CHECKED: DR. HEL. ROSHMAN/AFR. HUSSEIN 18-OCT-2024	DRG. NAME: MENDEL		
APPROVED: DR. SHAMIMUL HAQUE 27-NOV-2024	DWG NO: 70			
THIRD ANGLE PROJECTION		MANUFACTURING METHOD: MACHINING		
		MATERIAL: ASTM A36 STEEL		
		SCALE: 1:2		WEIGHT: 213.76 g
		SHEET: 83		REVISION: A

\\B:\DRAWING\DETAILS\PIECES\70



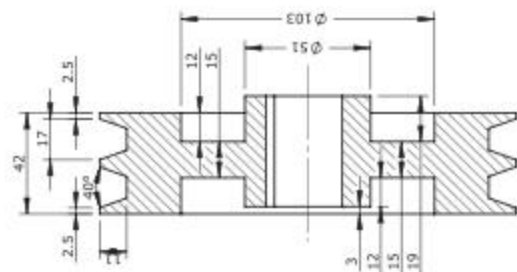
UNLESS OTHERWISE SPECIFIED: DIMENSIONS ARE IN MILLIMETERS HOLE DIMENSIONS ARE TO H2/H7 * DOES NOT APPLY TO HOLE SIZE				BANGLADESH RICE RESEARCH INSTITUTE SFMR PROJECT, FNPMT DIVISION		DO NOT SCALE DRAWING FINISH: NONE FIRST ISSUED: 26-JUL-2024	
TITLE: FAST MOVING SPARE PARTS OF COMBINE HARVESTER	DWG NO: 72	DRG. NAME: REEL BELT PULLEY	MANUFACTURING METHOD: MACHINING	MATERIAL: GRAY CAST IRON	WEIGHT: 3358.63 g	A4	REVISION: A
SCALE: 1:2	SHEET: 85	SHEET: 85	SHEET: 85	SHEET: 85	SHEET: 85	SHEET: 85	SHEET: 85
DESIGNER: DR. FARUK HANIF KHAN DATE: 25-MAR-2024	CHECKED: DR. FARUK HANIF KHAN DATE: 18-OCT-2024	APPROVED: DR. FARUK HANIF KHAN DATE: 20-NOV-2024	THIRD ANGLE PROJECTION		MANUFACTURING METHOD: MACHINING	MATERIAL: GRAY CAST IRON	WEIGHT: 3358.63 g

UNIVERSITY OF CHITTAGONG, CHITTAGONG, BANGLADESH

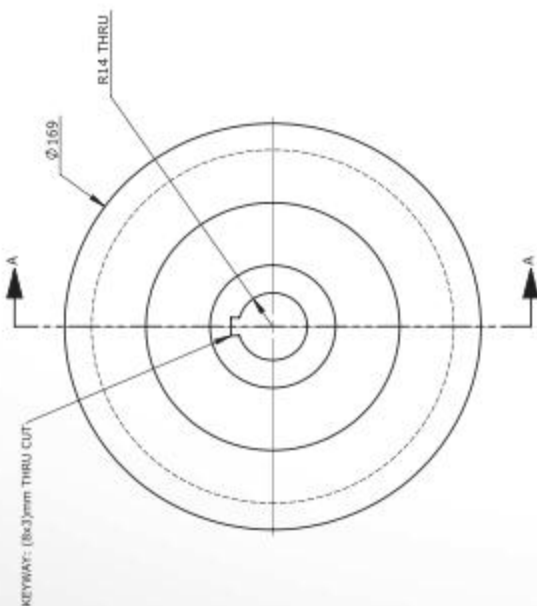


		BANGLADESH RICE RESEARCH INSTITUTE SFMR PROJECT, FMPPT DIVISION		DO NOT SCALE DRAWING FINISH: NONE FIRST ISSUED: 26-JUL-2024	
DESIGN APPROVED BY: DR. T. S. TALUKDER DIMENSIONS ARE IN MILLIMETERS HELLIPSE: A 0.1, ANGULAR: 45/45° * DOES NOT APPLY TO HOLE SIZE		DWG NO: 73 DRG. NAME: JOINT SHAFT DWG NO: 73 MANUFACTURING METHOD: MACHINING MATERIAL: ASTM A36 STEEL SCALE: 1:2		TITLE: FAST MOVING SPARE PARTS OF COMBINE HARVESTER DRG. NAME: JOINT SHAFT DWG NO: 73 MANUFACTURING METHOD: MACHINING MATERIAL: ASTM A36 STEEL WEIGHT: 1023.81 g REVISION: A	
DETAIL NAME DRAWN CHKD APVD THIRD ANGLE PROJECTION	NUMBER 5/26 R.M.H 4/81	DATE 25-JUL-2024 16-OCT-2024 24-NOV-2024			

UNITS: METRIC DECIMAL PLACES: 01

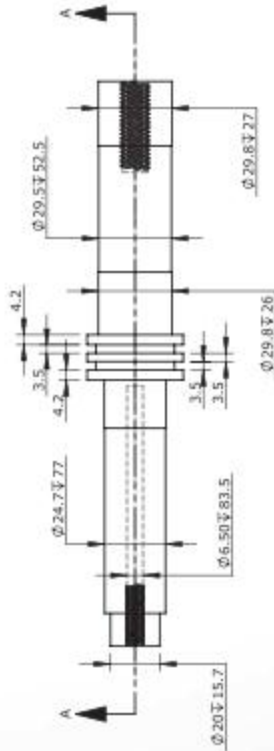
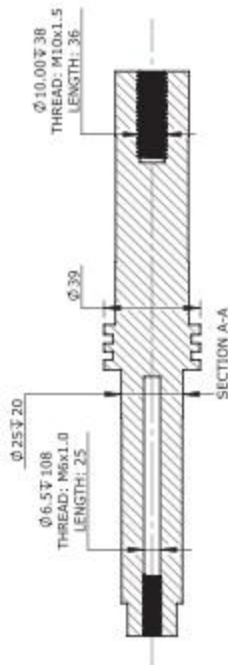


SECTION A-A
SCALE 1 : 2



UNLESS OTHERWISE SPECIFIED: DIMENSIONS ARE IN MILLIMETERS FRACTIONS: 1/16, 1/8, 3/16, 1/4, 3/8, 1/2, 5/8, 3/4, 7/8, 1 DECIMALS: 0.1, 0.2, 0.5, 1.0, 2.0, 5.0, 10.0 * DOES NOT APPLY TO HOLE SIZE				BANGLADESH RICE RESEARCH INSTITUTE SFMRA PROJECT, FMPHT DIVISION	DO NOT SCALE DRAWING FINISH: NONE FIRST ISSUED: 26-JUL-2024
DETAILS: NAME DRAWN: SIBEL HANFURUKHAN SHAN CHECKED: DR. MD. MOHAMMAD FORKAN APPROVED: DR. ABUL HASNAT TALUK THIRD ANGLE PROJECTION	SHEET NO: 87 R/S: 1 R/S: 1 R/S: 1	DATE: 25-07-2024 DATE: 25-07-2024 DATE: 24-08-2024	TITLE: FAST MOVING SPARE PARTS OF COMBINE HARVESTER DRG. NAME: UPPER JOCKY PULLEY DWG NO: 74		
MANUFACTURING METHOD: MACHINING MATERIAL: GRAY CAST IRON SCALE: 1:2			WEIGHT: 4378.57 g SHEET: 87 REVISION: A		

CONVERTING DECIMAL INCHES TO mm



UNLESS OTHERWISE SPECIFIED:
 DIMENSIONS ARE IN MILLIMETERS
 PELLIPETER: 4 D.G. ANGULAR: 45 DEGREE
 * DOES NOT APPLY TO HOLE SIZE



BANGLADESH RICE RESEARCH INSTITUTE
 SFMRA PROJECT, FMPHT DIVISION

DO NOT SCALE DRAWING
 FINISH: NONE
 FIRST ISSUED: 26-JUL-2024

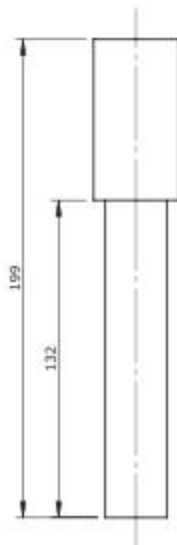
DETAILS	NAME	SCALE	DATE
DRAWN	SHAM SUKUTER, JAWAN SHAH	1:1	25-07-2024
CHECKED	DR. MD. MOHAMMAD FARUHAN	1:1	15-07-2024
APPROVED	DR. JAWAN SUKUTER, JAWAN SHAH	1:1	24-07-2024

TITLE: FAST MOVING SPARE PARTS OF COMBINE HARVESTER
 DRG. NAME: CARRIER ROLLER SHAFT
 DWG NO: 75



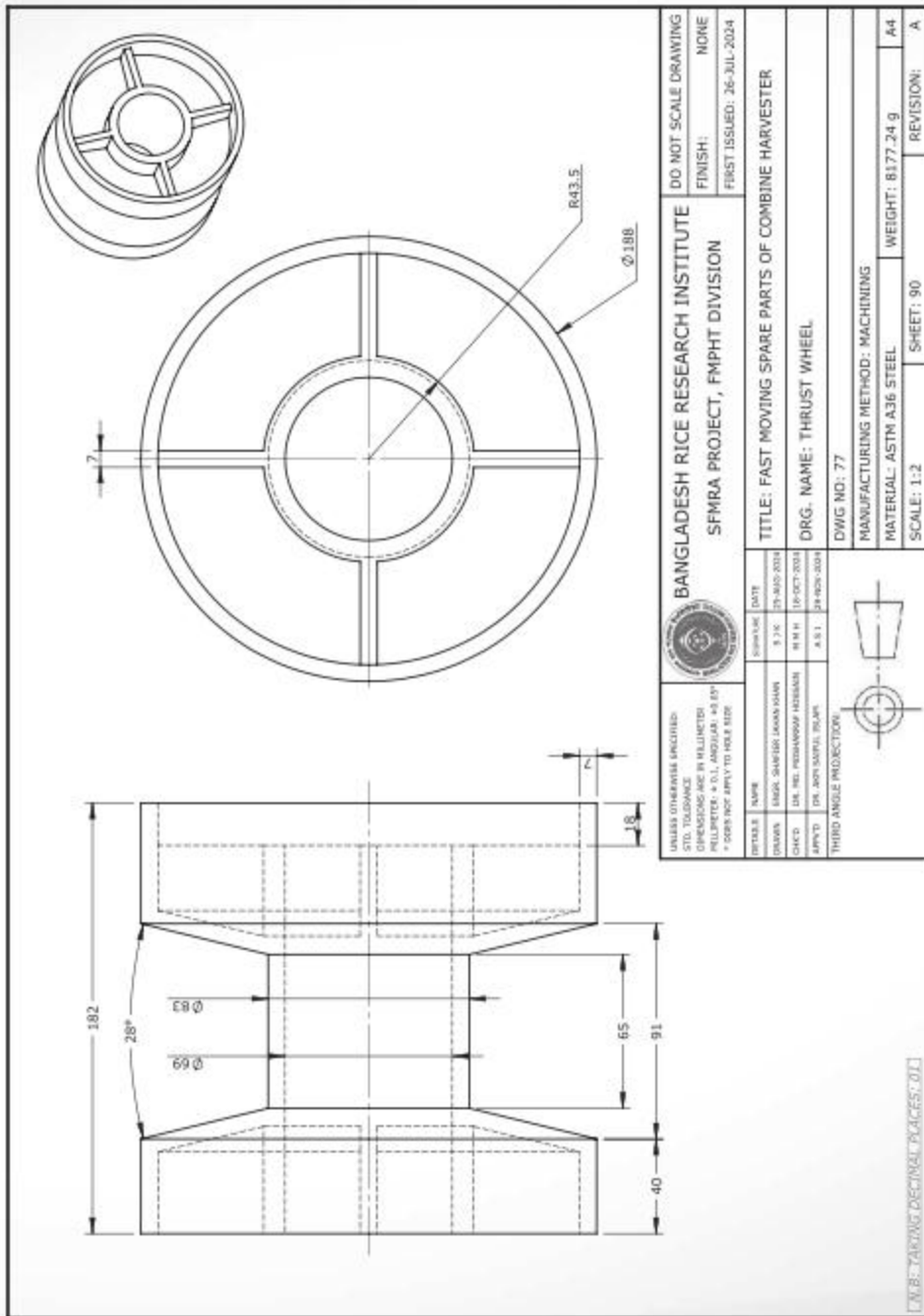
MANUFACTURING METHOD: MACHINING
 MATERIAL: GRAY CAST IRON
 SCALE: 1:2
 SHEET: 88
 WEIGHT: 882.94 g
 REVISION: A

CAD: TAKING DECIMAL PLACES: 01



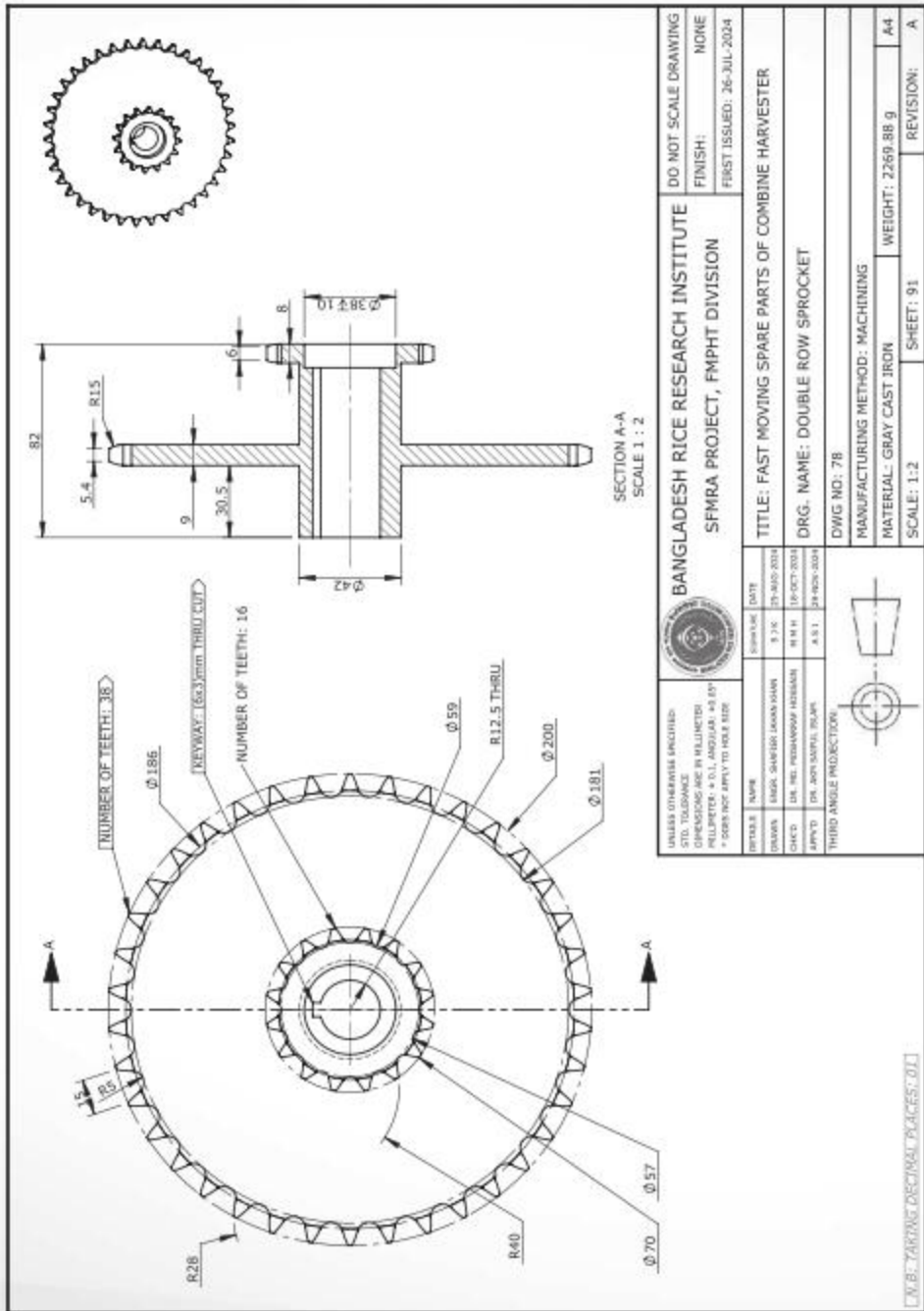
UNLESS OTHERWISE SPECIFIED: STD. TOLERANCE DIMENSIONS ARE IN MILLIMETERS HOLE/FITTING: H 8/g 7, ANGULAR: AS SHOWN * DIMENSIONS APPLY TO HOLE SIZE				BANGLADESH RICE RESEARCH INSTITUTE SFMRA PROJECT, FMPPT DIVISION		DO NOT SCALE DRAWING FINISH: NONE FIRST ISSUED: 26-JUL-2024	
DESIGNER	NAME	SIGNATURE	DATE	TITLE: FAST MOVING SPARE PARTS OF COMBINE HARVESTER			
CHKD	DR. HEL. PRASANNOP HASSEMAN	M. M. H.	19-OCT-2024	DRG. NAME: THRUST WHEEL SHAFT			
APP'D	DR. SHANTARUP BOJDA	A. S. I.	24-NOV-2024	DWG NO: 76			
THIRD ANGLE PROJECTION				MANUFACTURING METHOD: MACHINING			
				MATERIAL: ASTM A36 STEEL			
				SCALE: 1:2			
				WEIGHT: 1000.31 g		REVISION: A	
				SHEET: 89			

UNITS: VARYING DECIMAL PLACES: 0



UNLESS OTHERWISE SPECIFIED: STD. TOLERANCE DIMENSIONS ARE IN MILLIMETERS HOLE PATTERN - ALL ANGULAR - AS SHOWN - DIMENSIONS APPLY TO HOLE SIZE				BANGLADESH RICE RESEARCH INSTITUTE SFMRA PROJECT, FMPPT DIVISION		DO NOT SCALE DRAWING FINISH: NONE FIRST ISSUED: 26-JUL-2024	
DESIGNER	NAME	SIGNATURE	DATE	TITLE: FAST MOVING SPARE PARTS OF COMBINE HARVESTER			
CHKD	DR. HAZ. FEROUSUZZAMAN	B. J.C.	25-JUL-2024	DRG. NAME: THRUST WHEEL			
APPVD	DR. SHAMSUL HAQUE	B. M. H.	19-OCT-2024	DWG NO: 77			
THIRD ANGLE PROJECTION				MANUFACTURING METHOD: MACHINING			
				MATERIAL: ASTM A36 STEEL			
				SCALE: 1:2			
				WEIGHT: 8177.24 g			
				SHEET: 90			
				REVISION: A			

SCALE: 1:2



UNLESS OTHERWISE SPECIFIED: STD. TOLERANCE DIMENSIONS ARE IN MILLIMETERS HOLE DIMENSIONS ARE TO H2/H7 FIT * DIMENSIONS APPLY TO HOLE SIZE				BANGLADESH RICE RESEARCH INSTITUTE SFMR PROJECT, FMPDT DIVISION		DO NOT SCALE DRAWING FINISH: NONE FIRST ISSUED: 26-JUL-2024	
DESIGNER	NAME	SIGNATURE	DATE	TITLE: FAST MOVING SPARE PARTS OF COMBINE HARVESTER			
CHKD	DR. HEL. PRADHANWAP. HAZARIAN		25-JUL-2024	DRG. NAME: DOUBLE ROW SPROCKET			
APPROV	DR. SHANTARUP. BOJRA		24-NOV-2024	DWG NO: 78			
THIRD ANGLE PROJECTION				MANUFACTURING METHOD: MACHINING			
				MATERIAL: GRAY CAST IRON			
				SCALE: 1:2			
				WEIGHT: 2259.88 g			
				SHEET: 91			
				REVISION: A			

1/16: FARMING DISCIPLINE PLACES: 01



Bangladesh Rice Research Institute
Gazipur